

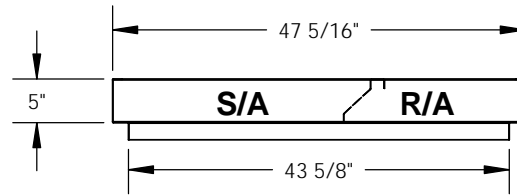
FEATURES:

- Gasketing package provided.
- Insulation: 1"-1.5 lb. Density.
- Estimated Weight: 47 Lbs.
- All Galvanized Welded Construction.

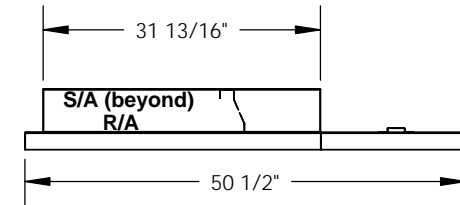
CURB ADAPTER

EXISTING GOODMAN:
GPG/APG 036-060 (PGC101-103 CURB)

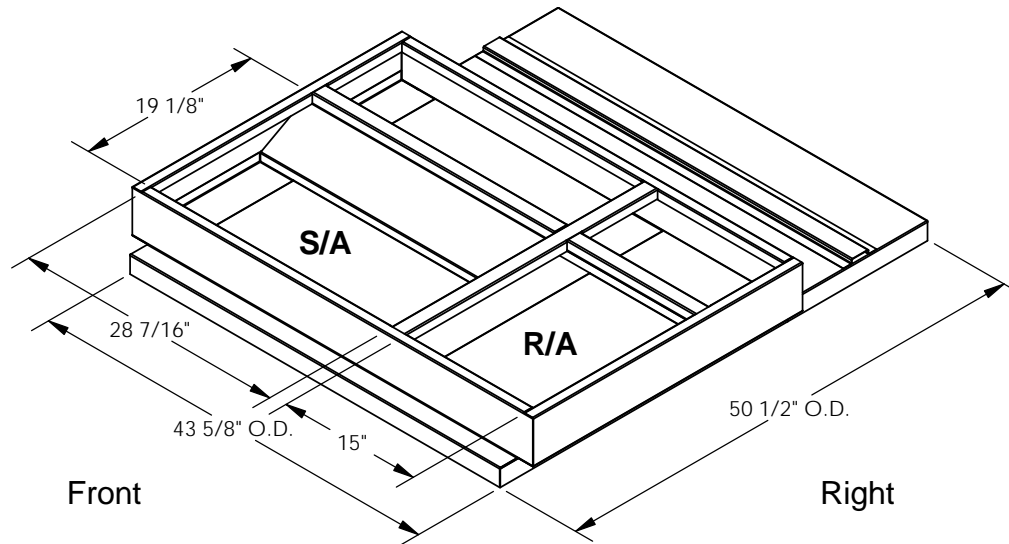
FOR YORK UNITS:
PCG4 024-042



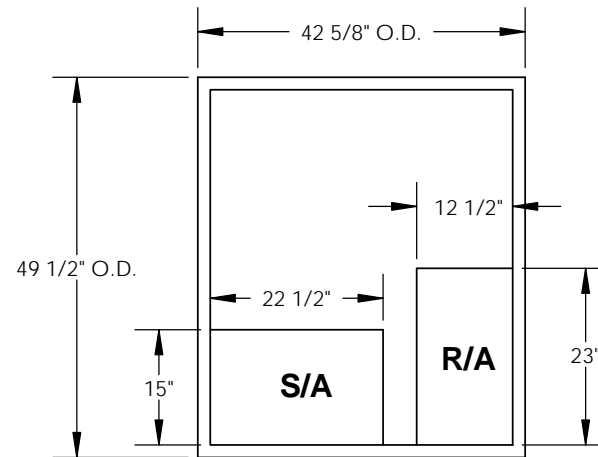
FRONT VIEW



RIGHT VIEW



ISOMETRIC VIEW



EXISTING CURB



3847 WABASH DR.
MIRA LOMA, CA 91725

PHONE (951) 685-1101
FAX (619) 872-9799

SUBMITTED TO: _____
COMPANY: _____
JOB NAME: _____
EQUIPMENT: _____
NOTES: _____

FORM NO: _____

PART NUMBER:
CA-LXS-GDM01

DATE:
6/7/2015

REV:
1

DRAWN BY:
CNG