

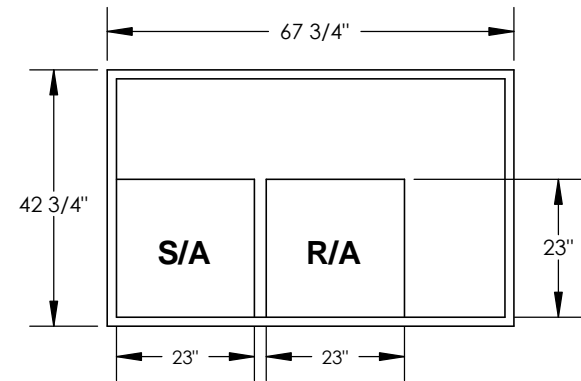
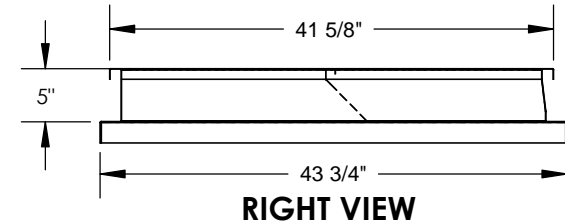
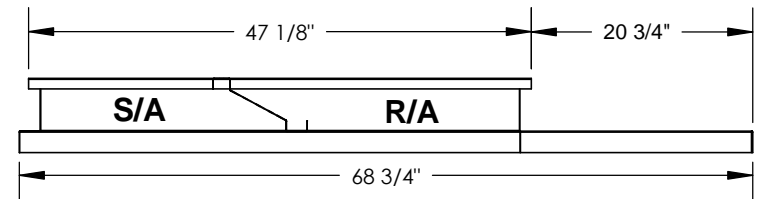
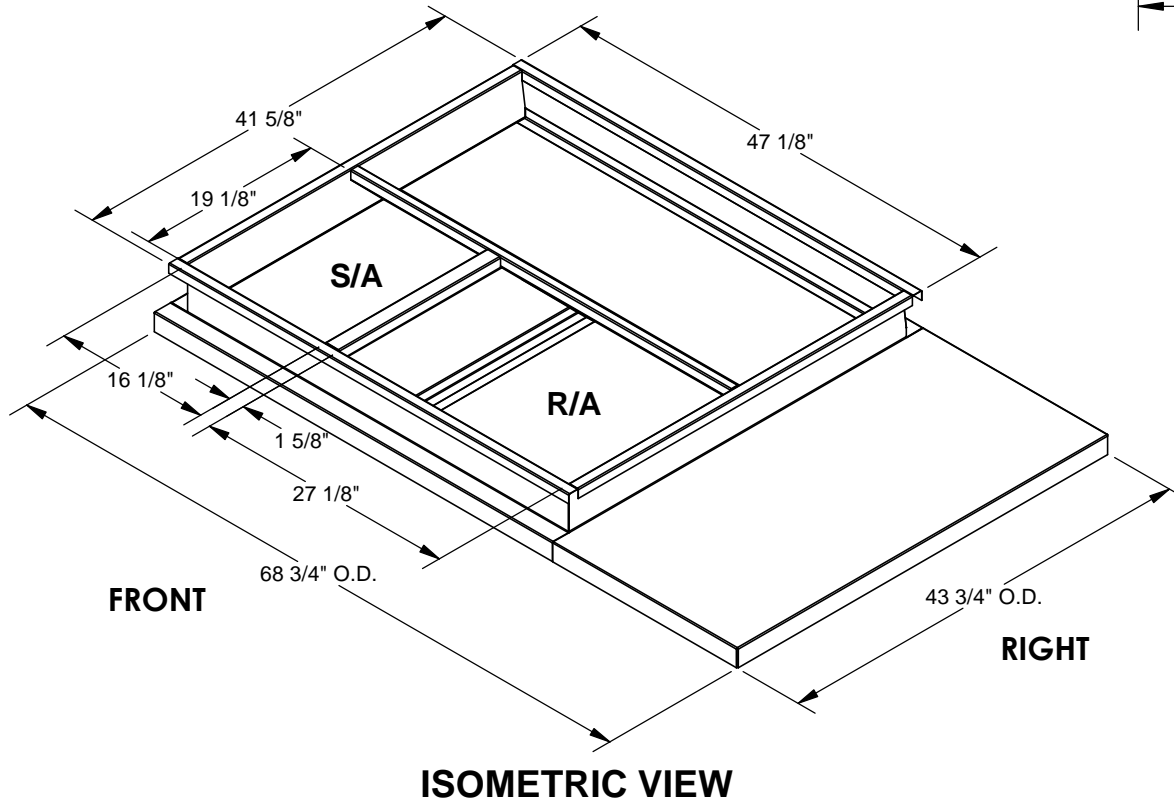
FEATURES:

- Material: Galvanized steel.
- Gasketing package provided.
- Heat treated wood nailer provided.
- Estimated Weight: 46 Lbs.

CURB ADAPTER

EXISTING ICP:
 PGAA, PGAC, PAAA, PGMD 047-060; PHAD, PGAD, PGX3 042-060; PAB, PGB/D/F, PHB 036-076;
 PGMG 048-075; PGB, PGX3, PGAD, PGMF 036-060; PGF 090

FOR YORK UNITS:
 PCG4B, PCE4B 048-60 / PHE4B, PHG4B 036-060



3847 WABASH DR.
 MIRA LOMA, CA 91725

PHONE (951) 685-1101
 FAX (619) 872-9799

SUBMITTED TO: _____
 COMPANY: _____
 JOB NAME: _____
 EQUIPMENT: _____
 NOTES: _____

FORM NO: _____
 -
 DATE: 8/4/2016

PART NUMBER: CA-LXL-ICP01
 REV: -
 DRAWN BY: JG