

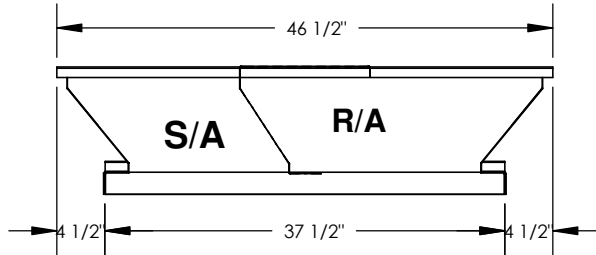
FEATURES:

- Material: Bright Galv.
- Gasketing package provided.
- Insulation: 1"-1.5 lb. Density.
- Estimated Weight: 105 Lbs.
- All Welded Construction.

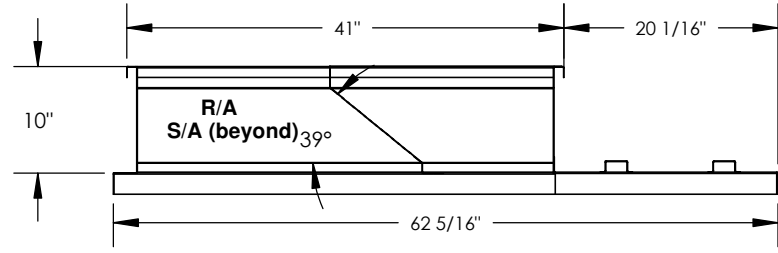
CURB ADAPTER

EXISTING CARRIER:
50CD 004-007, 50QD 006

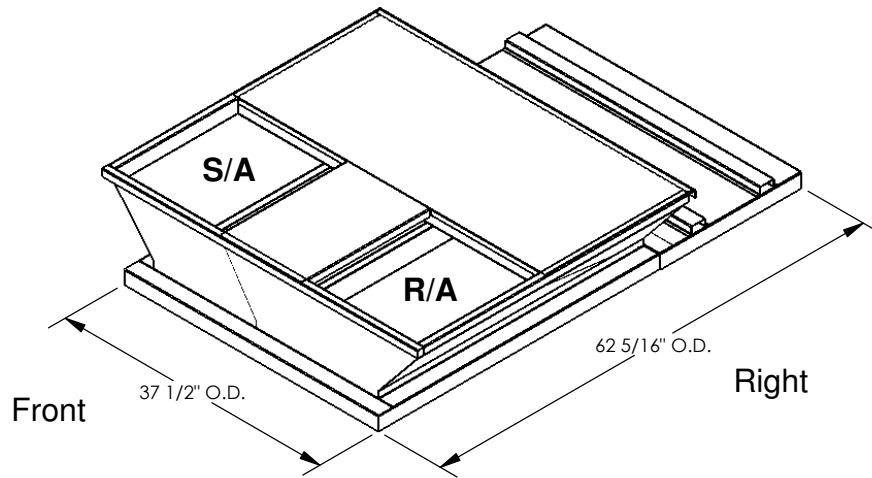
FOR YORK UNITS:
PCG4B, PCE4B 048-060; PHE4B, PHG4B 036-060



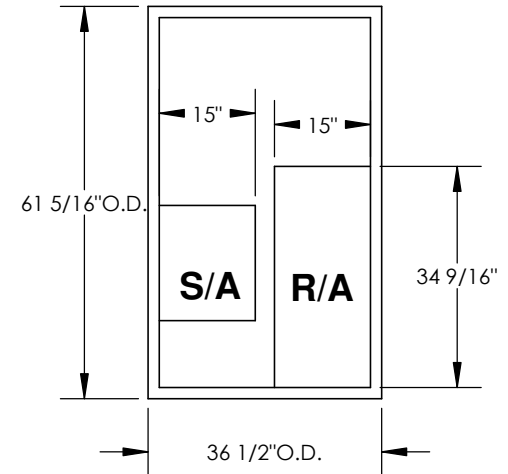
FRONT VIEW



RIGHT VIEW



ISOMETRIC VIEW



EXISTING CURB



3847 WABASH DRIVE
MIRA LOMA, CA 91752

PHONE (951) 685-1101
FAX (619) 872-9799

SUBMITTED TO: _____
COMPANY: _____
JOB NAME: _____
EQUIPMENT: _____
NOTES: _____

FORM NO: _____
DATE: 2/8/2016

PART NUMBER: CA-LXL-CAR22
REV: -

DRAWN BY: JG