

**FEATURES:**

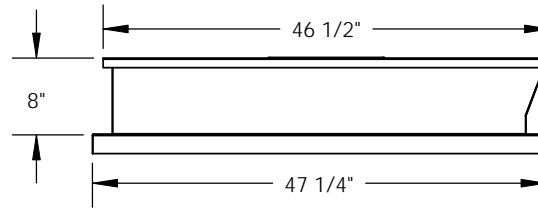
- Gasketing package provided.
- Insulation: 1"-1.5 lb. Density.
- Estimated Weight: 75 Lbs.
- All Galvanized Welded Construction.

**CURB ADAPTER**

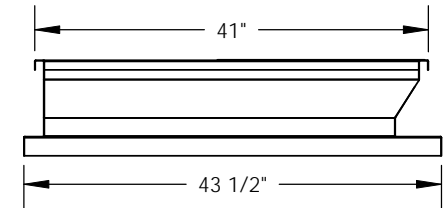
EXISTING CARRIER:  
Small Cabinet: 48SB, N, 50NE, NQ

EXISTING BRYANT:  
Small Cabinet: 587A, 584A, 580A, 584B, 554A, 654A

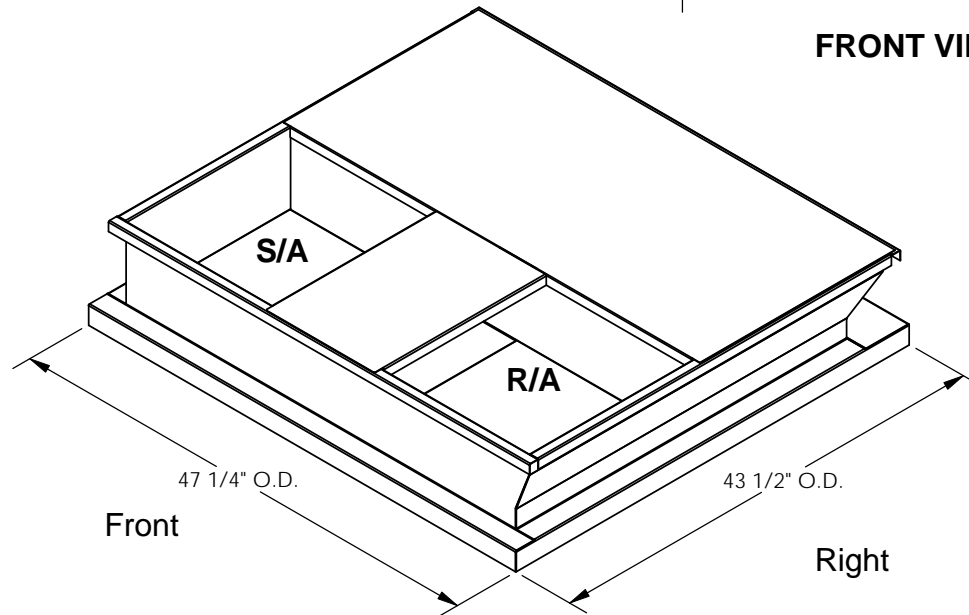
FOR YORK UNITS:  
P\*\*4B



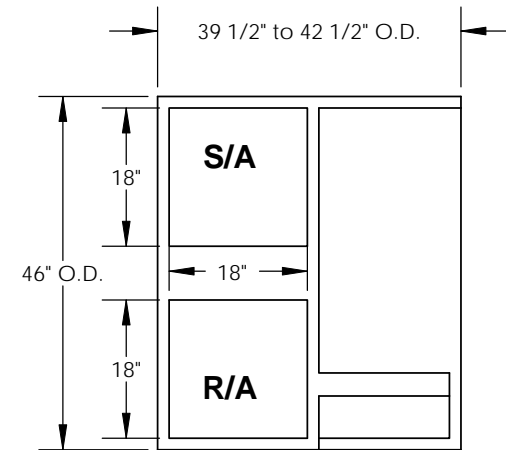
**FRONT VIEW**



**RIGHT VIEW**



**ISOMETRIC VIEW**



**EXISTING CURB**



3847 WABASH DR.  
MIRA LOMA, CA 91725

PHONE (951) 685-1101  
FAX (619) 872-9799

SUBMITTED TO: \_\_\_\_\_  
COMPANY: \_\_\_\_\_  
JOB NAME: \_\_\_\_\_  
EQUIPMENT: \_\_\_\_\_  
NOTES: \_\_\_\_\_

FORM NO: \_\_\_\_\_

PART NUMBER:  
CA-LXL-CAR09

DATE:  
4/1/2016

REV:  
-

DRAWN BY:  
CNG