

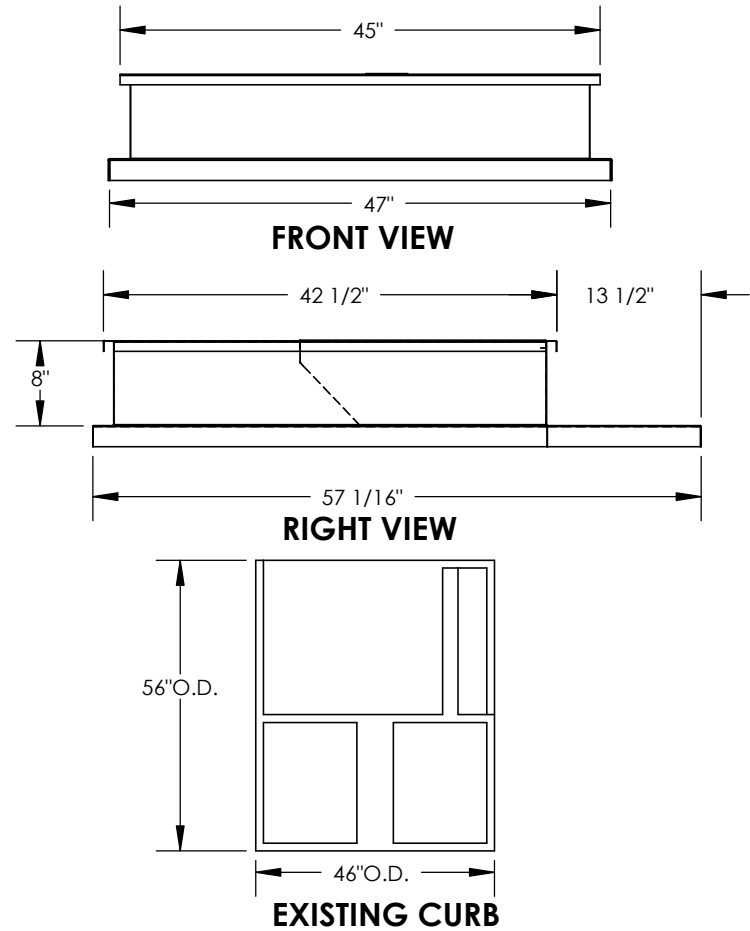
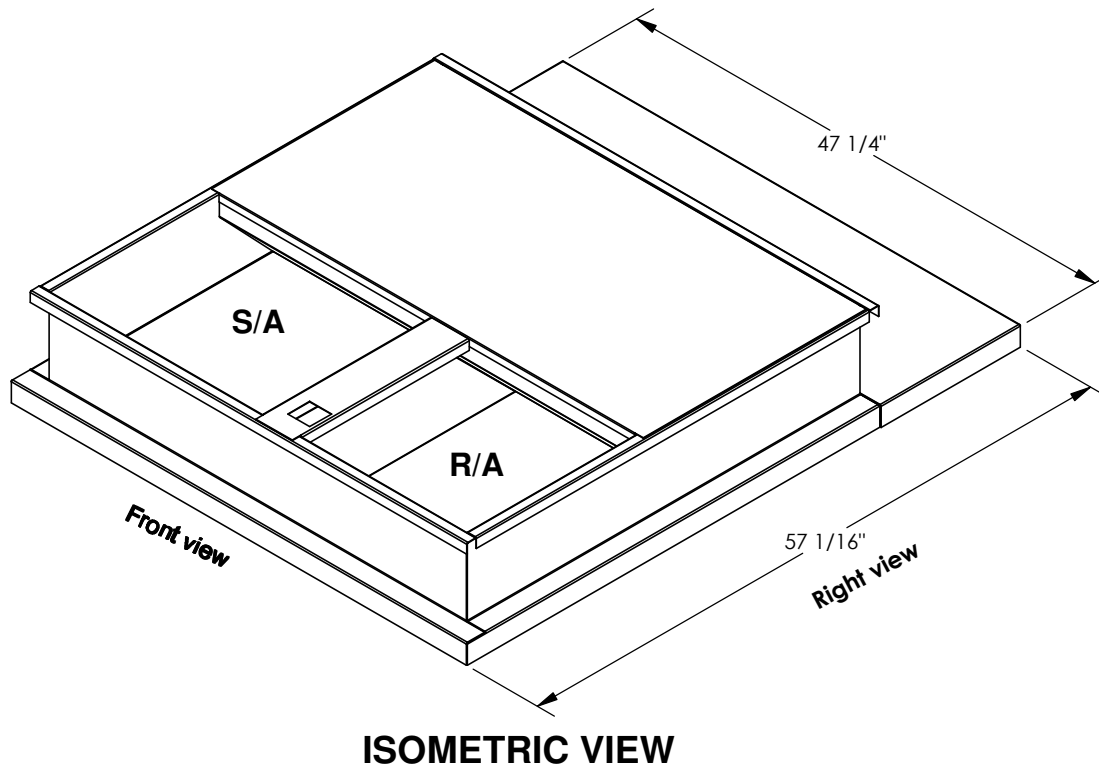
FEATURES:

- Material: 18 Ga. Bright Galv.
- Gasketing package provided.
- Heat treated wood nailer provided.
- Estimated Weight: 78 Lbs.

CURB ADAPTER

FOR YORK UNITS:
 DEB/BHH/BHA 018-060: DNZ/DEZ/DNP/DEM/BHZ/BHP 024-060: DEX 024-048:
 DNH/DEH 030-060: DNA 036-060: DNY/BHX 024, 036, 048, 060: DNX 024, 036, 048: DEY 060

EXISTING CARRIER:
 FACTORY CURB LARGE CABINET 48/50N* 018-060



3847 WABASH DRIVE
 MIRA LOMA, CA 91752
 PHONE (951) 685-1101
 FAX (619) 872-9799

SUBMITTED TO: _____
 COMPANY: _____
 JOB NAME: _____
 EQUIPMENT: _____
 NOTES: _____

FORM NO: _____
 -
 DATE: 4/20/2015

PART NUMBER: CA-AFF1860-CAR07
 REV: 3
 DRAWN BY: JG