

**FEATURES:**

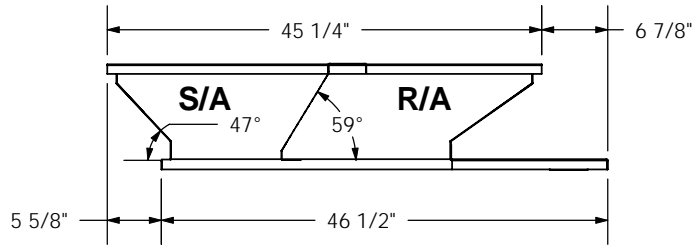
- Material: Bright Galv.
- Gasketing package provided.
- Insulation: 1"-1.5 lb. Density.
- Estimated Weight: 89 Lbs.
- All Welded Construction.

**CURB ADAPTER**

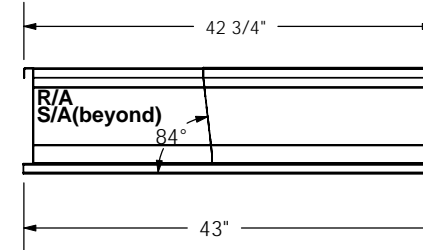
EXISTING CARRIER:  
48SS/SX 018-060

FOR YORK UNITS:

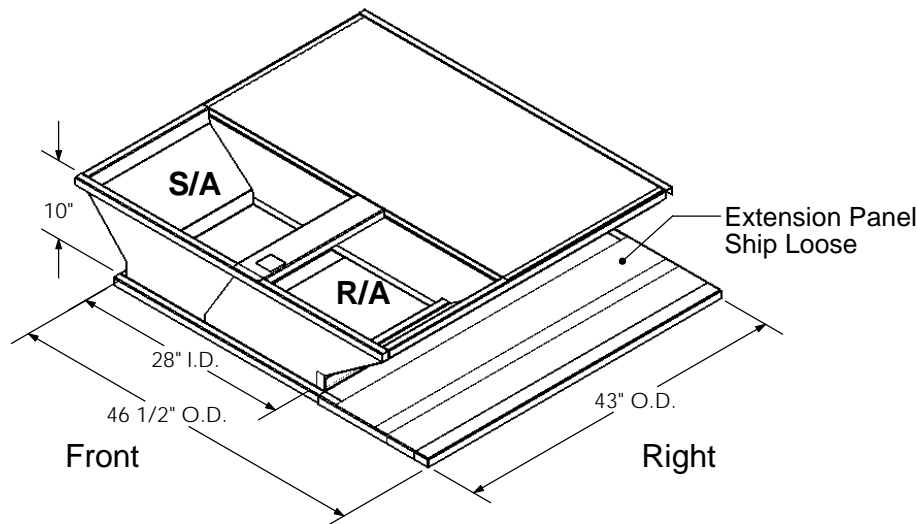
DEB/BHH/BHA 018-060: DNZ/DEZ/DNP/DEM/BHZ/BHP 024-060: DEX 024-048:  
DNH/DEH 030-060: DNA 036-060: DNY/BHX 024, 036, 048, 060: DNX 024, 036, 048: DEY 060



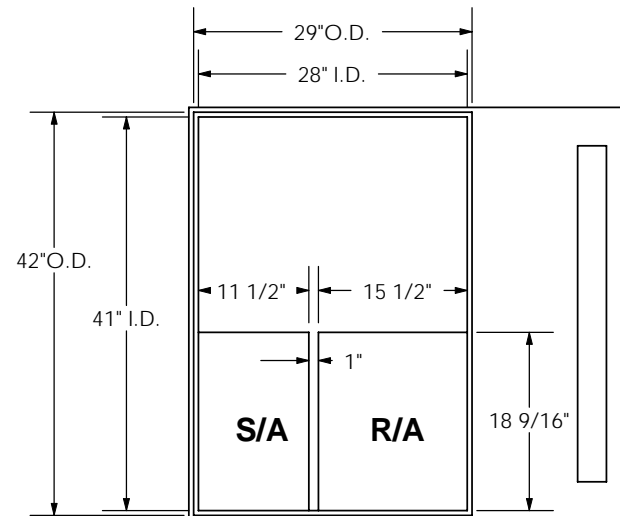
**FRONT VIEW**



**RIGHT VIEW**



**ISOMETRIC VIEW**



**EXISTING CURB**



1392 EAST PALOMAR STREET  
SUITE 403-234  
CHULA VISTA, CA 91913

PHONE (619) 498-9246  
FAX (619) 872-9799

SUBMITTED TO: \_\_\_\_\_  
COMPANY: \_\_\_\_\_  
JOB NAME: \_\_\_\_\_  
EQUIPMENT: \_\_\_\_\_  
NOTES: \_\_\_\_\_

FORM NO:

DATE:  
5/20/2010

PART NUMBER:  
CA-AFF1860-CAR05

REV:  
1

DRAWN BY:  
FMM