

MIXING BOX FOR SAMSUNG DUCTED CEILING UNITS

FEATURES:

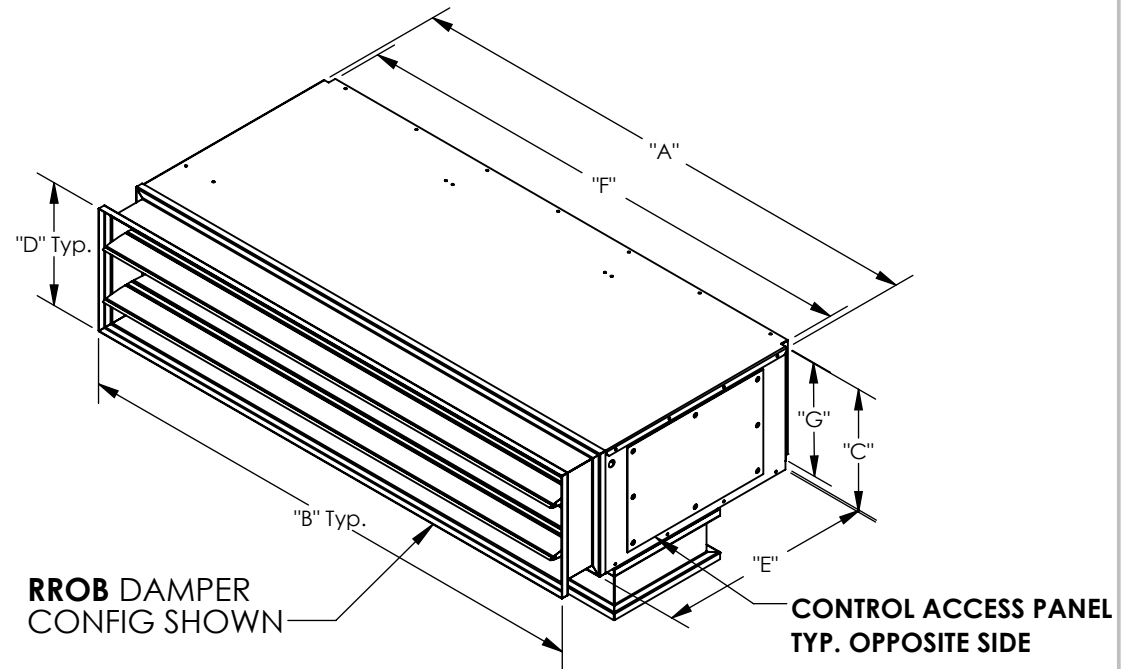
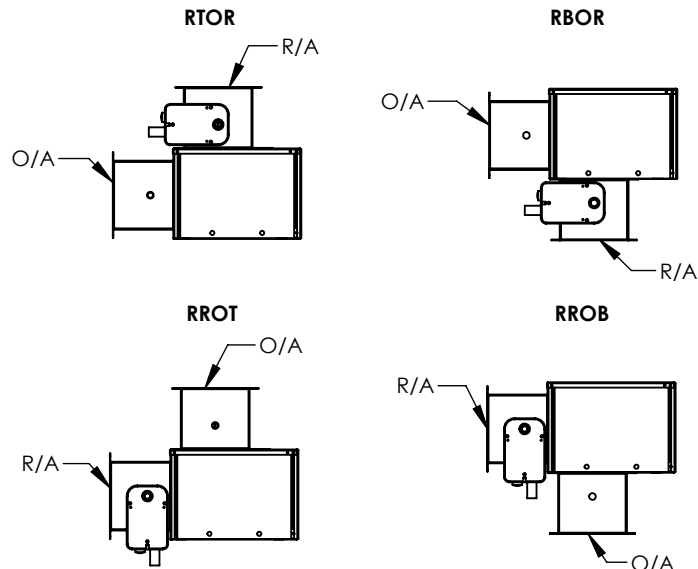
- 20 Ga. factory assembled.
- Insulation: 1"-1.5 lb. Density
- Title 24 compliant low leak dampers.
- Controls package includes:
DB Selectable dry bulb
or
EN Enthalpy modulating controls.
Also includes relay signal switch.

MNHCH/MNMDCH UNIT	PART NUMBER	CONTROLS	A	B	C	D	E	F	G	EST.WT
AC018; AM007-018	MB-SAC0718-NC-**** MB-SAC0718-DB-**** MB-SAC0718-EN-****	NO CONTROLS DRY BULB ENTHALPY	33-1/2"	33-1/2"	9-3/4"	9-3/4"	18"	32-15/16"	8-13/16"	70 LBS.
AC024-030; AM024-030	MB-SAC2430-NC-**** MB-SAC2430-DB-**** MB-SAC2430-EN-****	NO CONTROLS DRY BULB ENTHALPY	47-1/4"	47-1/4"	9-3/4"	9-3/4"	18"	46-1/16"	8-13/16"	79 Lbs.
AC036-048; AM036-048	MB-SAC3648-NC-**** MB-SAC3648-DB-**** MB-SAC3648-EN-****	NO CONTROLS DRY BULB ENTHALPY	51-3/16"	51-3/16"	11-3/4"	11 3/4"	20"	50-1/16"	10-15/16"	88 LBS.
AM054JNHDCH	MB-SAC54-NC-**** MB-SAC54-DB-**** MB-SAC54-EN-****	NO CONTROLS DRY BULB ENTHALPY	47-1/4"	47-1/4"	14-3/16"	11"	20"	46-7/8"	11-1/8"	87 LBS.
AM076-096 FNHCH	MB-SAC7696-NC-**** MB-SAC7696-DB-**** MB-SAC7696-EN-****	NO CONTROLS DRY BULB ENTHALPY	48-13/16"	46-3/4"	18-1/2"	16-1/2"	23-1/2"	46-7/8"	15-5/16"	100 LBS.

**** DAMPER ORIENTATIONS:

- RETURN AIR TOP, OUTSIDE AIR REAR (RTOR)
- RETURN AIR BOTTOM, OUTSIDE AIR REAR (RBOR)
- RETURN AIR REAR, OUTSIDE AIR TOP (RROT)
- RETURN AIR REAR, OUTSIDE AIR BOTTOM (RROB)

(ADD TO END OF PART NUMBER AFTER CONTROL SELECTION)



3847 WABASH DRIVE
MIRA LOMA, CA 91725

PHONE (951) 685-1101
FAX (619) 872-9799

SUBMITTED TO: _____
COMPANY: _____
JOB NAME: _____
EQUIPMENT: _____
NOTES: _____

FORM NO:
MB-500

DATE:
3/24/2021

PART NUMBER:
MB-SAC SERIES

REV:
-

DRAWN BY:
ALL