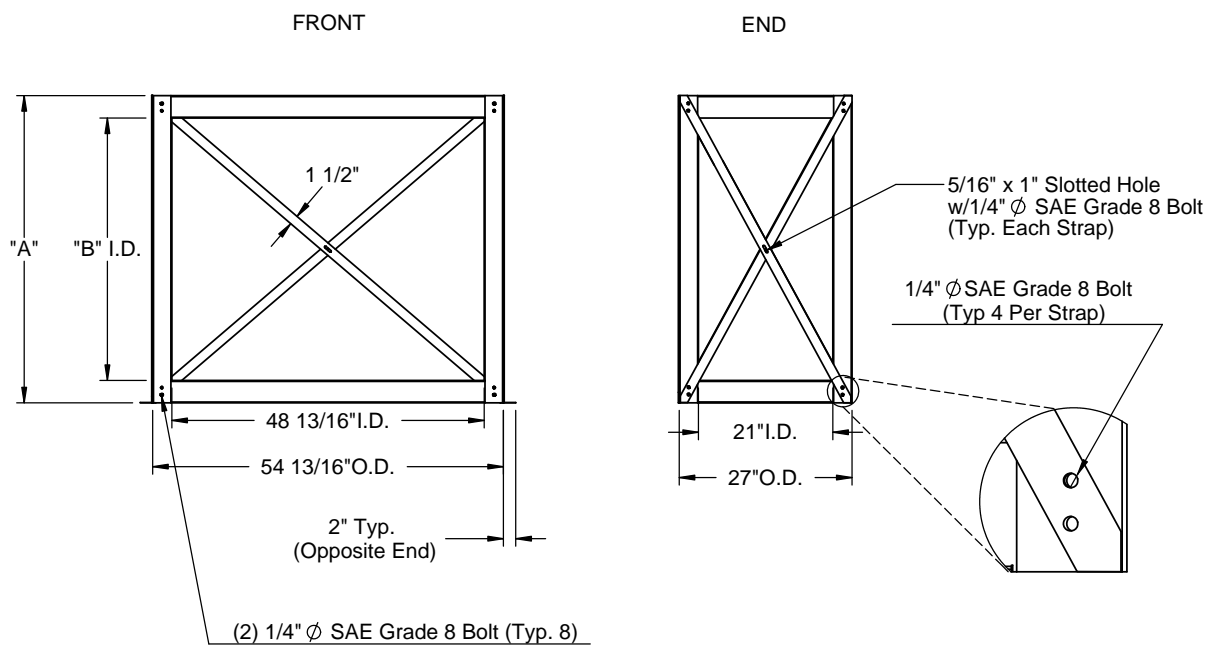
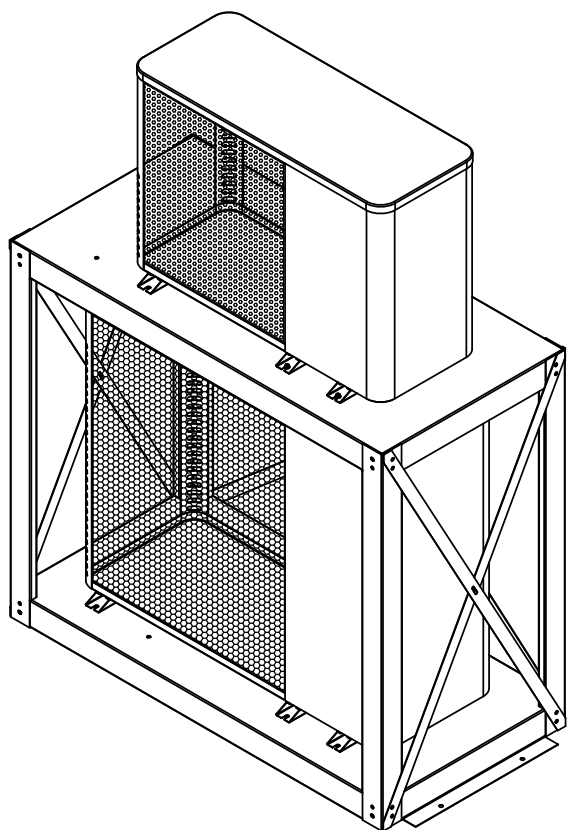


**FEATURES**

- Simple bolt on assembly. (All bolt connections are pre-threaded.)
- 16 Ga. GS90 Galvanized Steel
- Foot mount bolt locations are pre-punched for simple bolt on anchoring.

**STACKING RACK FOR MITSUBISHI  
"P" AND "M" SERIES CONDENSING UNITS**

| PROVENT P/N    | UNIT   | A   | B   | Wt.      |
|----------------|--|-----|-----|----------|
| STACKYMITSU-01 | PUZA/PUYA 12,18, 24,30,36;<br>M SERIES                                   | 48" | 41" | 108 Lbs. |
| STACKYMITSU-02 | PUYA42NHA3,4,5,6;<br>PUZA42NHA3,4,5,6;<br>PUMYP36-48NHMU;<br>PUMYP60NKMU | 64" | 57" | 198 Lbs. |



3847 WABASH DR.  
MIRA LOMA, CA 91725

PHONE (951) 685-1101  
FAX (619) 872-9799

SUBMITTED TO: \_\_\_\_\_  
 COMPANY: \_\_\_\_\_  
 JOB NAME: \_\_\_\_\_  
 EQUIPMENT: \_\_\_\_\_  
 NOTES: \_\_\_\_\_

FORM NO:  
STACK-10

DATE:  
3/19/2015

PART NUMBER:  
STACKYMITSU SERIES

REV: 1  
DRAWN BY: CNG