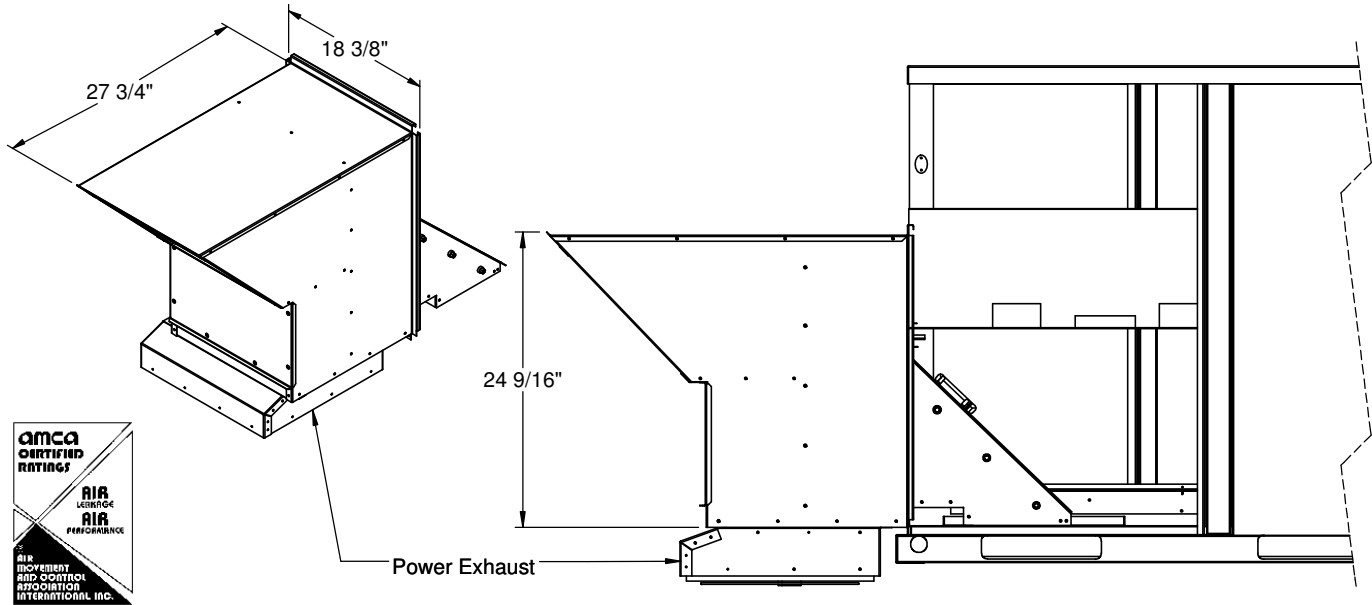
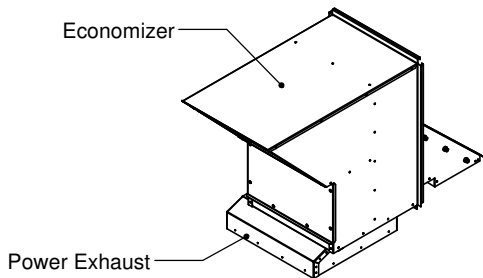


FEATURES	DOWN DISCHARGE AXIAL POWER EXHAUST ECONOMIZER FOR YORK UNITS						ProVent P/N				
	PCG4A, PCE4A 024- 042/ PHE4A, PHG4A 024- 030						CONSTANT VOLUME	MODULATING			
	<ul style="list-style-type: none"> Includes fully modulating economizer. (See Form ECO-500 for Economizer Specs). CO2 controller standard on economizer. Space or duct mounted CO2 sensor provided as option: <ul style="list-style-type: none"> CO2WM - Wall Mount With LED CO2DM - Duct Mount LEED economizer option. Direct drive axial fan. Modulating option includes fully programmable (factory set) variable frequency drive controlled by a differential pressure transducer designed to continuously monitor space pressure. 	VOLTAGE	External Static (in. W.G)				FLA	HP	Wt	PEDALXSDB06C 208/230V 1Ph Selectable Dry Bulb	PEDALXSDB06M 208/230V 1Ph Selectable Dry Bulb
230V/1Ph			0.1	0.2	0.3	0.4				0.5	2.5
230V/3Ph		1,500	1,375	1,250	1,150	900	2.5	PEDALXSDB25C 208/230V 3Ph Selectable Dry Bulb	PEDALXSDB25M 208/230V 3Ph Selectable Dry Bulb		
460V/3Ph							0.8	PEDALXSEN25C 208/230V 3Ph Enthalpy	PEDALXSEN25M 208/230V 3Ph Enthalpy		
PLEASE NOTE:									PEDALXSDB46C 460V 3Ph Selectable Dry Bulb	PEDALXSDB46M 460V 3Ph Selectable Dry Bulb	
<ol style="list-style-type: none"> Return air duct, dampers, return air grills are specific for each unit. For proper electrical wire sizing, Provent power exhaust full load amps need to be added to equation. 									PEDALXSEN46C 460V 3Ph Enthalpy	PEDALXSEN46M 460V 3Ph Enthalpy	
									Note: For factory installed LEED economizer / power exhaust option, part number, FLOWECLXS, must be added.		

LEED ECONOMIZER / POWER EXHAUST OPTION

- ProVent P/N: FLOWECLXS
- Outside air measurement for dilution utilizing thermal dispersion technology and ASHRAE 62.1 compliant. Provides LEED credit by supplying feedback on ventilation system performance ensuring that the ventilation system maintains design requirements.
- Factory installed onto economizer/power exhaust standard.
- Provides analog outputs for BMS, visual or audible alert, and generates an alarm when conditions vary by 10% or more of set point.



Only Ruskin Company Model CD-60 is AMCA Certified



3847 WABASH DR.
MIRA LOMA, CA 91725

PHONE (951) 685-1101
FAX (619) 872-9799

SUBMITTED TO: _____
 COMPANY: _____
 JOB NAME: _____
 EQUIPMENT: _____
 NOTES: _____

FORM NO:
PE-72

PART NUMBER:
PEDALXS SERIES

DATE:
10/30/2015

REV:
-

DRAWN BY:
JG