

**FEATURES**

- Includes fully modulating economizer.
- AMCA certified CD-60 Airfoil O/A dampers blades.
- Meets leakage rate as required by ASHRAE 90.1.
- CD-60 Airfoil R/A damper blades.
- Modulating option includes fully programmable (factory set) variable frequency drive controlled by a differential pressure transducer designed to continuously monitor space pressure.
- CO2 controller standard on economizer. Space or duct mounted CO2 sensor provided as option:
  - CO2WM - Wall Mount With LED
  - CO2DM - Duct Mount
- Access door for motor, blower, and blower drives.
- Adjustable motor sheave.
- Motor with automatic internal thermal protection.

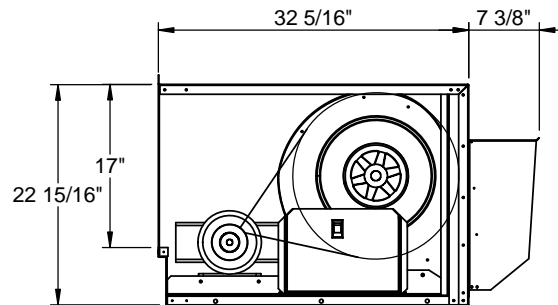
**HORIZONTAL DISCHARGE CENTRIFUGAL POWER EXHAUST ECONOMIZER FOR YORK PRESTIGE UNITS**

**ZX 07; XQ, XY, ZY 05-06; ZQ 06; XXA7**

VOLTAGE	External Static (in. W.G)				FLA	Hp	Wt
	0.1	0.2	0.3	0.4			
230V/3Ph	2,400 cfm	2,200 cfm	2,000 cfm	1,800 cfm	3.2	1	248 Lbs. (Includes Economizer)
460V/3Ph					1.6		

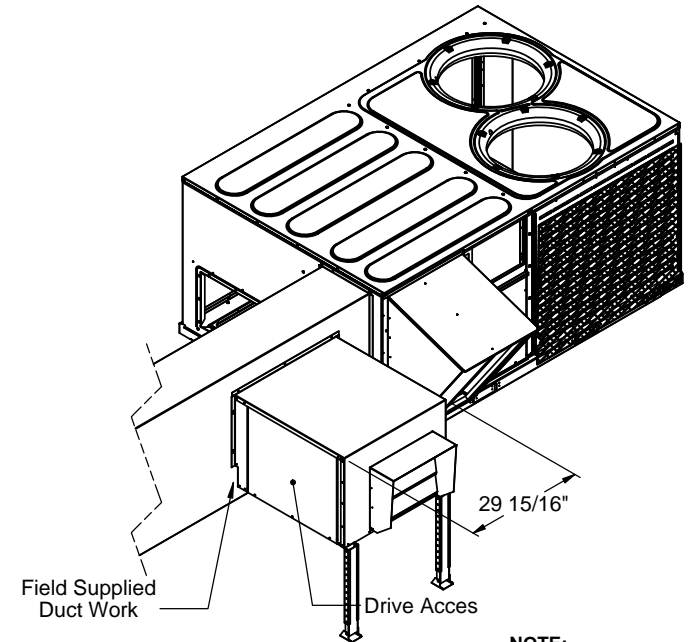
**PLEASE NOTE:**

1. Return air duct, dampers, return air grills are specific for each unit.
2. For proper electrical wire sizing, Provent power exhaust full load amps need to be added to equation.



**NOTE:**  
If drive components are required on other side (RT) please specify when ordering.

ProVent P/N	
CONSTANT VOLUME	MODULATING
<b>PEH CPRSTDB06C</b> 208/230V 1Ph Selectable Dry Bulb	<b>PEH CPRSTDB06M</b> 208/230V 1Ph Selectable Dry Bulb
<b>PEH CPRSTEN06C</b> 208/230V 1Ph Enthalpy	<b>PEH CPRSTEN06M</b> 208/230V 1Ph Enthalpy
<b>PEH CPRSTDB25C</b> 208/230V 3Ph Selectable Dry Bulb	<b>PEH CPRSTDB25M</b> 208/230V 3Ph Selectable Dry Bulb
<b>PEH CPRSTEN25C</b> 208/230V 3Ph Enthalpy	<b>PEH CPRSTEN25M</b> 208/230V 3Ph Enthalpy
<b>PEH CPRSTDB46C</b> 460V 3Ph Selectable Dry Bulb	<b>PEH CPRSTDB46M</b> 460V 3Ph Selectable Dry Bulb
<b>PEH CPRSTEN46C</b> 460V 3Ph Enthalpy	<b>PEH CPRSTEN46M</b> 460V 3Ph Enthalpy



**NOTE:**  
Based on field supporting of duct, P.E. may require additional field support.



Only Ruskin Company Model CD-60 is AMCA Certified



3847 WABASH DR.  
MIRA LOMA, CA 91725

PHONE (951) 685-1101  
FAX (619) 872-9799

SUBMITTED TO: \_\_\_\_\_  
 COMPANY: \_\_\_\_\_  
 JOB NAME: \_\_\_\_\_  
 EQUIPMENT: \_\_\_\_\_  
 NOTES: \_\_\_\_\_

FORM NO:  
PE-62

PART NUMBER:  
PEHCPRST SERIES

DATE:  
3/6/2018

REV:  
4

DRAWN BY:  
CNG