

**FEATURES**

- Includes fully modulating economizer. (See Form ECO-90 for Economizer Specs).
- CO2 controller standard on economizer. Space or duct mounted CO2 sensor provided as option:
  - CO2WM - Wall Mount With LED
  - CO2DM - Duct Mount
- Access for motor, blower, and blower drives.
- Adjustable motor sheave.
- Motor with automatic internal thermal protection.
- Modulating option includes fully programmable (factory set) variable frequency drive controlled by a differential pressure transducer designed to continuously monitor space pressure.

**DOWN DISCHARGE CENTRIFUGAL POWER EXHAUST ECONOMIZER FOR YORK PRESTIGE UNITS**

**ZX 04-07; ZY, XY 04-06**

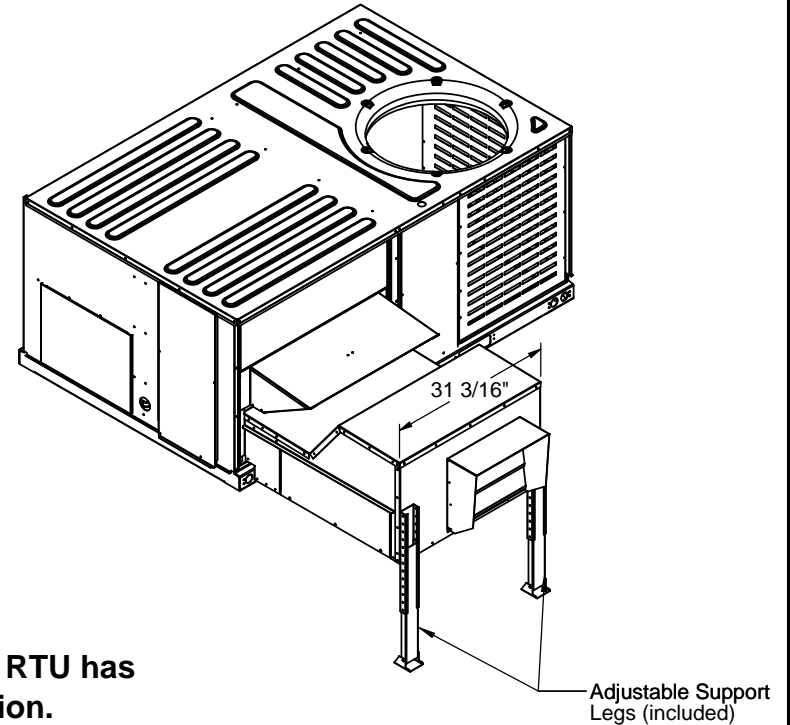
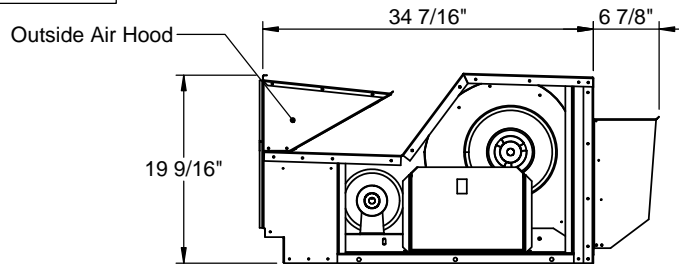
VOLTAGE	External Static (in. W.G)				FLA	Hp	Est. Wt
	0.1	0.2	0.3	0.4			
230V/3Ph	2,400 cfm	2,200 cfm	2,000 cfm	1,800 cfm	3.2	1	198 Lbs. (Includes Economizer)
460V/3Ph					1.6		

**PLEASE NOTE:**

1. Return air duct, dampers, return air grills are specific for each unit.
2. For proper electrical wire sizing, Provent power exhaust full load amps need to be added to equation.

**ProVent P/N**

CONSTANT VOLUME	MODULATING
<b>PEDCPRSDB06C</b> 208/230V 1Ph Selectable Dry Bulb	<b>PEDCPRSDB06M</b> 208/230V 1Ph Selectable Dry Bulb
<b>PEDCPRSEN06C</b> 208/230V1Ph Enthalpy	<b>PEDCPRSEN06M</b> 208/230V 1Ph Enthalpy
<b>PEDCPRSDB25C</b> 208/230V 3Ph Selectable Dry Bulb	<b>PEDCPRSDB25M</b> 208/230V 3Ph Selectable Dry Bulb
<b>PEDCPRSEN25C</b> 208/230V 3Ph Enthalpy	<b>PEDCPRSEN25M</b> 208/230V 3Ph Enthalpy
<b>PEDCPRSDB46C</b> 460V 3Ph Selectable Dry Bulb	<b>PEDCPRSDB46M</b> 460V 3Ph Selectable Dry Bulb
<b>PEDCPRSEN46C</b> 460V 3Ph Enthalpy	<b>PEDCPRSEN46M</b> 460V 3Ph Enthalpy



Only Ruskin Company Model CD-60 is AMCA Certified

**Note:**  
Please contact ProVent if RTU has a hinged filter access option.



3847 WABASH DR.  
MIRA LOMA, CA 91725

PHONE (951) 685-1101  
FAX (619) 872-9799

SUBMITTED TO: \_\_\_\_\_  
COMPANY: \_\_\_\_\_  
JOB NAME: \_\_\_\_\_  
EQUIPMENT: \_\_\_\_\_  
NOTES: \_\_\_\_\_

FORM NO:  
PE-56

DATE:  
7/13/2016

PART NUMBER:  
PEDCPRS SERIES

REV:  
3

DRAWN BY:  
CNG