

FEATURES

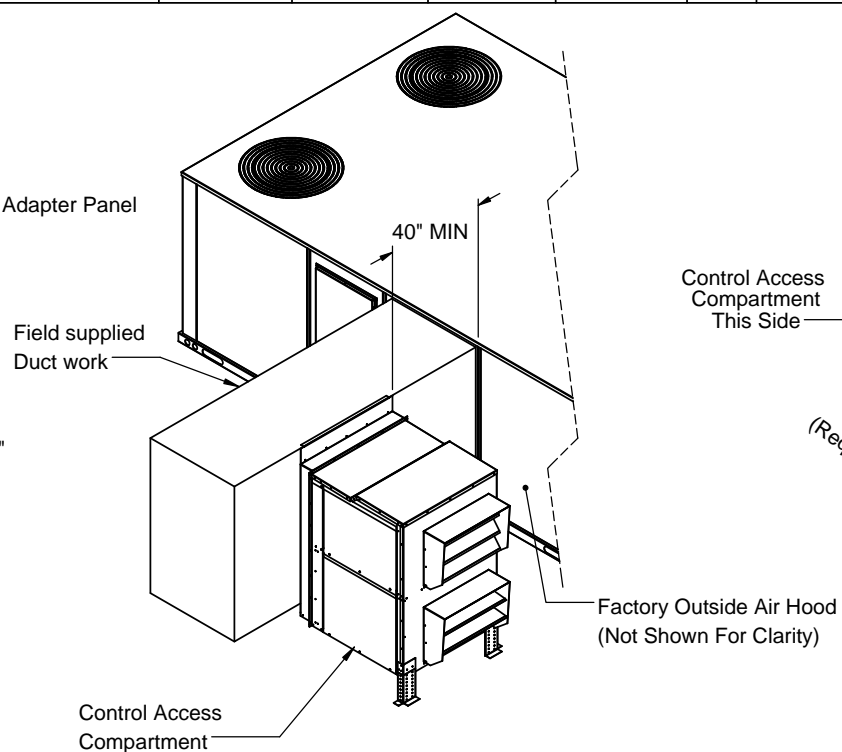
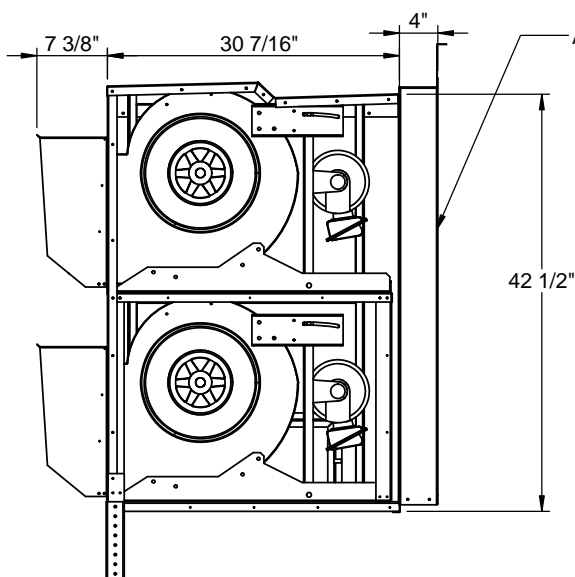
- Constant volume factory set for 2 stage.
- Modulating option includes fully programmable (factory set) variable frequency drive controlled by a differential pressure transducer. Designed to continuously monitor space pressure.
- Access doors for motor, blower, and blower drives.
- Adjustable motor sheave.
- Motor with automatic internal thermal protection.
- Support legs are adjustable.

DOWN OR HORIZONTAL DISCHARGE CENTRIFUGAL POWER RELIEF FOR YORK UNITS

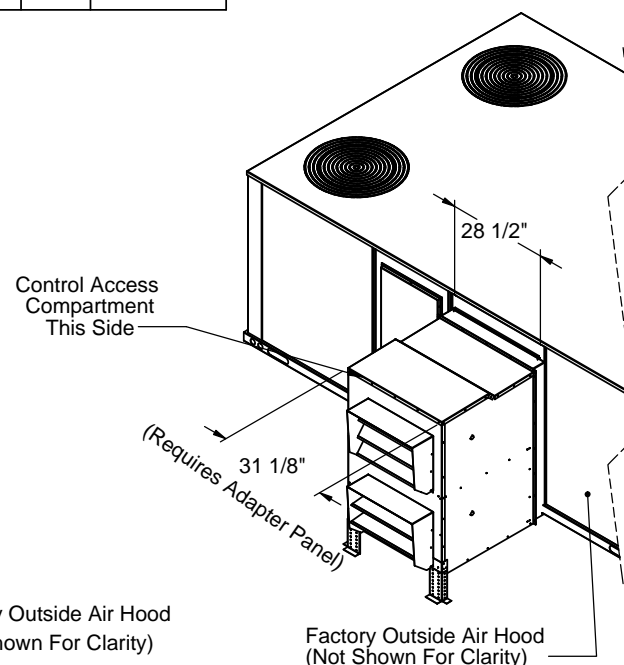
ZJ/ZR 240-300; ZF 240-300; XP 240

VOLTAGE	ProVent P/N	External Static (in. w.g.)				FLA	Hp
		.10	.25	.50	.75		
208/230V/3Ph	PECCSLM243025CS PECCSLM243025MS	10,400 cfm	9,500 cfm	8,600 cfm	7,700 cfm	11.2	4 Hp Total (Qty. 2, 2 Hp)
460V/3Ph	PECCSLM243046CS PECCSLM243046MS					5.6	

ProVent P/N	Wt.
PECCSLM243025CS Constant Volume (2 Stage) 230V/3Ph	270 Lbs.
PECCSLM243046CS Constant Volume (2 Stage) 460V/3Ph	
PECCSLM243025MS Modulating 230V/3Ph	
PECCSLM243046MS Modulating 460V/3Ph	



HORIZONTAL DISCHARGE



DOWN DISCHARGE



3847 WABASH DR.
MIRA LOMA, CA 91725
PHONE (951) 685-1101
FAX (619) 872-9799

SUBMITTED TO: _____
COMPANY: _____
JOB NAME: _____
EQUIPMENT: _____
NOTES: _____

FORM NO: PE-31	PART NUMBER: PECCSLM2430 SERIES	
DATE: 6/19/2015	REV: 4	DRAWN BY: CNG