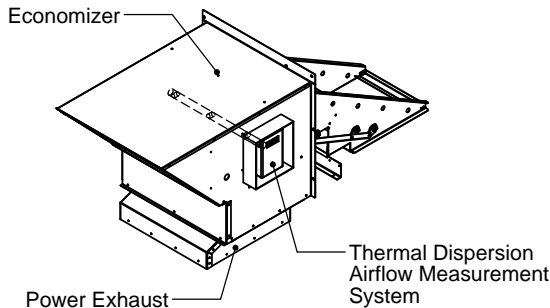


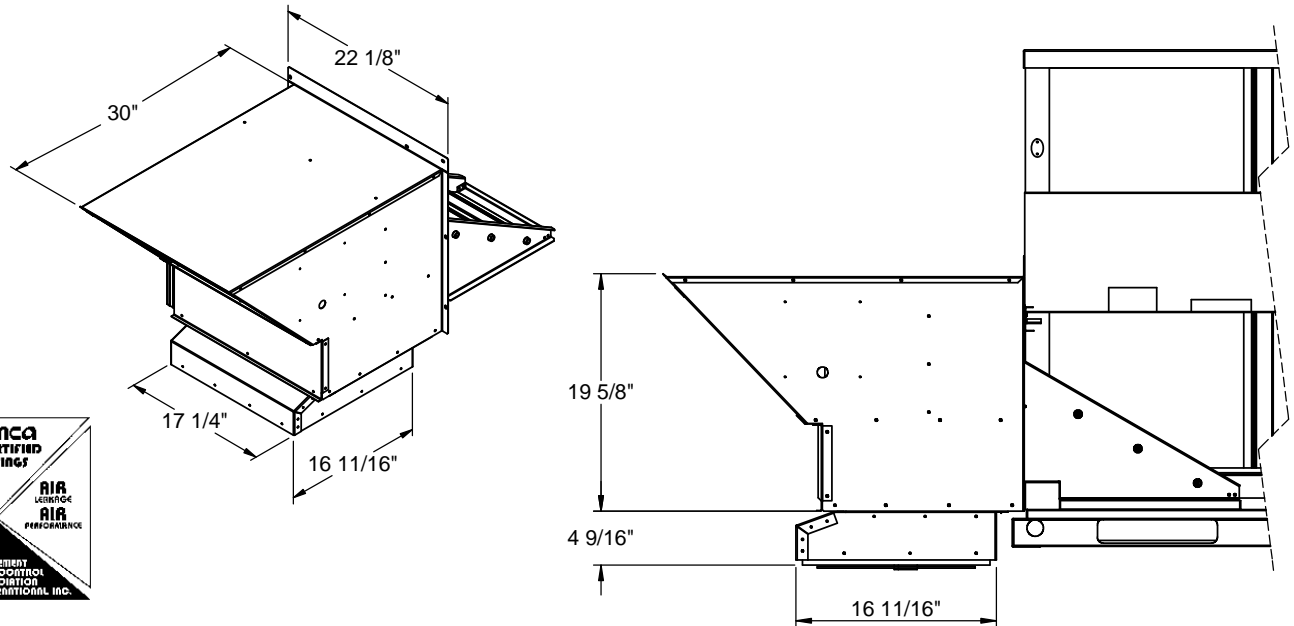
FEATURES	DOWN DISCHARGE AXIAL POWER EXHAUST ECONOMIZER FOR YORK UNITS						ProVent P/N			
	DEQ/DNZ/DEZ/DNQ/DEM/DEX/DNH/DEH/DNA/DNY/DNX BHQ/BHH/BHA/BHZ/BHP/BHX 024-060: DEY 060						CONSTANT VOLUME	MODULATING		
<ul style="list-style-type: none"> Includes fully modulating economizer. (See Form ECO-215 for Economizer Specs). CO2 controller standard on economizer. Space or duct mounted CO2 sensor provided as option: <ul style="list-style-type: none"> CO2WM - Wall Mount With LED CO2DM - Duct Mount LEED economizer option. Direct drive axial fan. Modulating option includes fully programmable (factory set) variable frequency drive controlled by a differential pressure transducer designed to continuously monitor space pressure. 	VOLTAGE	External Static (in. W.G)				FLA	HP	Wt	PEDAAFF1860DB06C 208/230V 1Ph Selectable Dry Bulb	PEDAAFF1860DB06M 208/230V 1Ph Selectable Dry Bulb
		230V/1Ph	0.1	0.2	0.3				0.4	0.5
	230V/3Ph	1,500	1,375	1,250	1,150	900	2.5	PEDAAFF1860DB25C 208/230V 3Ph Selectable Dry Bulb	PEDAAFF1860DB25M 208/230V 3Ph Selectable Dry Bulb	
	460V/3Ph						0.8	PEDAAFF1860EN25C 208/230V 3Ph Enthalpy	PEDAAFF1860EN25M 208/230V 3Ph Enthalpy	
	PLEASE NOTE:								PEDAAFF1860DB46C 460V 3Ph Selectable Dry Bulb	PEDAAFF1860DB46M 460V 3Ph Selectable Dry Bulb
	<ol style="list-style-type: none"> Return air duct, dampers, return air grills are specific for each unit. For proper electrical wire sizing, Provent power exhaust full load amps need to be added to equation. 								PEDAAFF1860EN46C 460V 3Ph Enthalpy	PEDAAFF1860EN46M 460V 3Ph Enthalpy
									Note: For factory installed LEED economizer / power exhaust option, part number, FLOWECAFF1860, must be added.	

LEED ECONOMIZER / POWER EXHAUST OPTION

- ProVent P/N: FLOWECAFF1860
- Outside air measurement for dilution utilizing thermal dispersion technology and ASHRAE 62.1 compliant. Provides LEED credit by supplying feedback on ventilation system performance ensuring that the ventilation system maintains design requirements.
- Factory installed onto economizer/power exhaust standard.
- Provides analog outputs for BMS, visual or audible alert, and generates an alarm when conditions vary by 10% or more of set point.



Only Ruskin Company Model CD-60 is AMCA Certified



3847 WABASH DR.
MIRA LOMA, CA 91725

PHONE (951) 685-1101
FAX (619) 872-9799

SUBMITTED TO: _____
COMPANY: _____
JOB NAME: _____
EQUIPMENT: _____
NOTES: _____

FORM NO:
PE-10

DATE:
11/4/2015

PART NUMBER:
PEDAAFF1860 SERIES

REV:
8

DRAWN BY:
CNG