

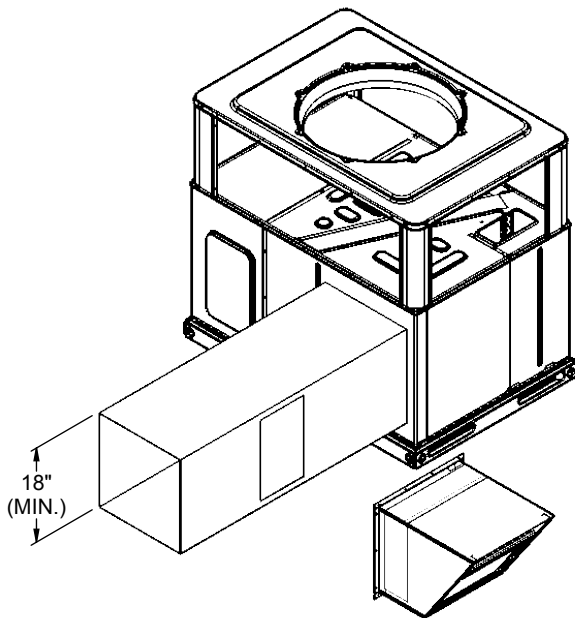
**FEATURES:**

- Built in position limit stop standard. (Not needed with CO2 capable)
- CO2 capable option includes CO2 controller standard.
- 2 position actuator standard.
- Stainless steel low-leak damper side seals.
- External linkage system.
- Mechanically secured upgraded outside air intake filter. (19" X 16-1/16" X 7/8" EXACT)
- Horizontal or down discharge application.

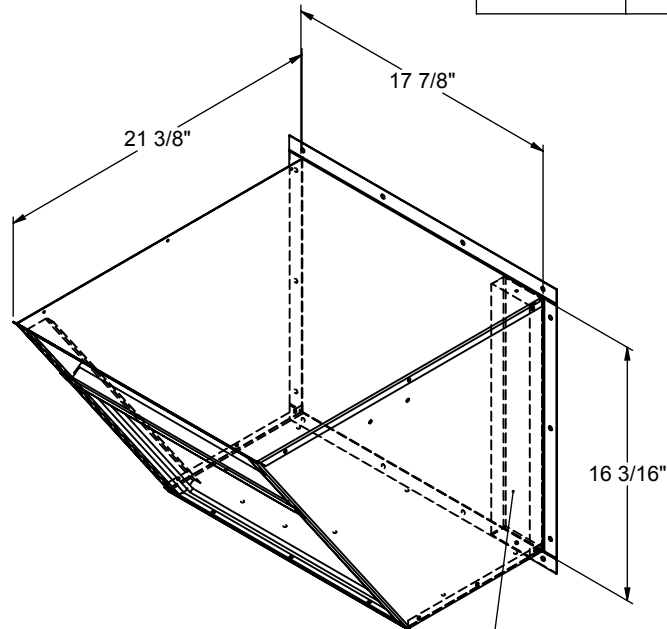
**0-100% OUTSIDE AIR 2 POSITION PACKAGE FOR YORK UNITS**

P\*\*\*A, P\*\*\*B ALL MODELS

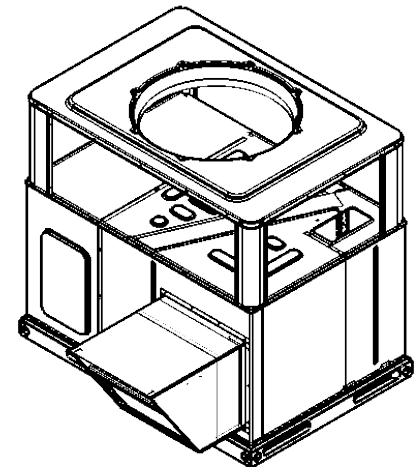
YORK UNIT	ProVent P/N	DESCRIPTION	WT.
P***A	OA2POLXS100BL	OUTSIDE AIR SELECTABLE 2 POSITION (0-100% O/A VARIABLE)	42 LBS.
	OA2POLXS100VCO2	OUTSIDE AIR SELECTABLE 2 POSITION CO2 CAPABLE (0-100% O/A VARIABLE CO2 CAPABLE)	
P***B	OA2POLXL100BL	OUTSIDE AIR SELECTABLE 2 POSITION (0-100% O/A VARIABLE)	
	OA2POLXL100VCO2	OUTSIDE AIR SELECTABLE 2 POSITION CO2 CAPABLE (0-100% O/A VARIABLE CO2 CAPABLE)	



HORIZONTAL APPLICATION



Adaptor Panel for LXS only



DOWN DISCHARGE APPLICATION



3847 WABASH DRIVE  
MIRA LOMA, CA 91752

PHONE (951) 685-1101  
FAX (619) 872-9799

SUBMITTED TO: \_\_\_\_\_  
COMPANY: \_\_\_\_\_  
JOB NAME: \_\_\_\_\_  
EQUIPMENT: \_\_\_\_\_  
NOTES: \_\_\_\_\_

FORM NO:  
OA-39

DATE:  
10/17/2016

REV:  
2

DRAWN BY:  
ALL