

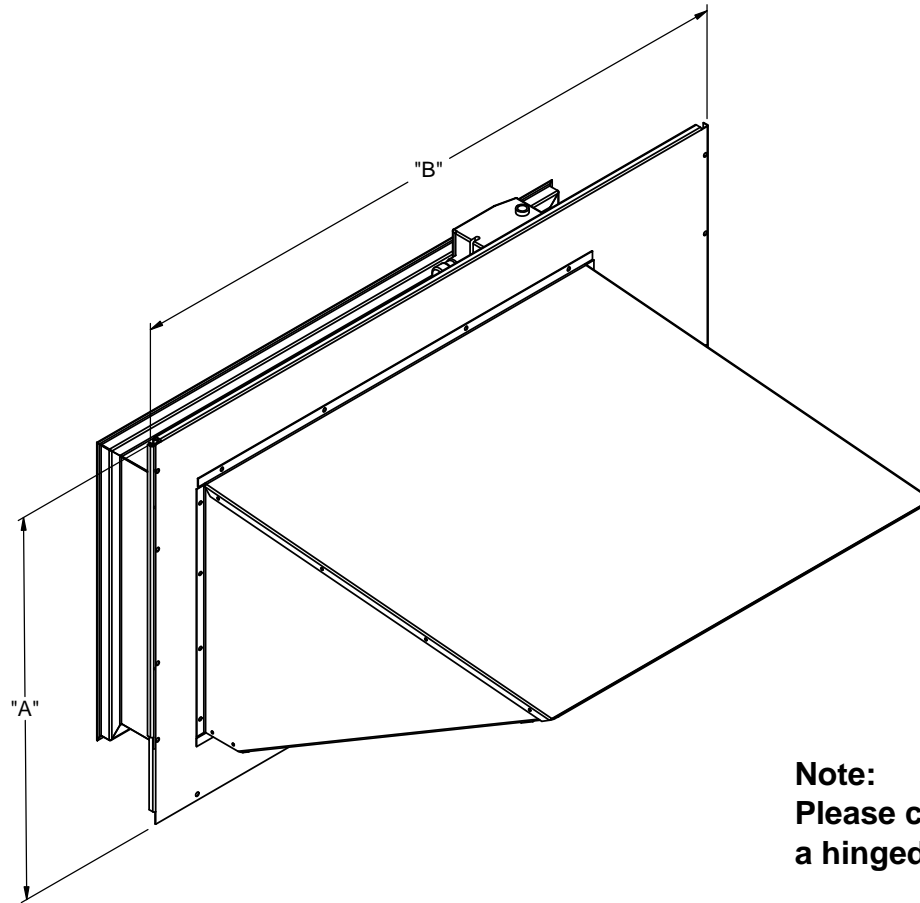
FEATURES:

- Painted hood and panels match factory specifications and color.
- Built in damper position limit stop standard.
- Stainless steel low leak damper side seals.
- External linkage system.
- Mechanically secured upgraded outside air intake filter.
- Horizontal or down discharge. (Mounts in same position on unit).

2 POSITION OUTSIDE AIR HOOD PACKAGE 0-100% VARIABLE FOR YORK UNITS

ZX 04-14; ZY 04-12; XY 04-09; ZQ, XQ 04-06; XX A7-12

UNIT SIZE	PROVENT P/N	DESCRIPTION	A	B	EST. WEIGHT
ZX 04-07, XX A7 ZY, XY, ZQ, XQ 04-06	OA2POPRS100BL	OUTSIDE AIR SELECTABLE 2 POSITION (0-100% O/A VARIABLE)	19-7/16"	33-7/16"	55 Lbs.
	OA2POPRS100VCO2	INCLUDES LOGIC MODULE FOR CO2 CAPABLE			
ZX 08-14, XX 08-12 ZY 07-12, XY 07-09	OA2POPRL100BL	OUTSIDE AIR SELECTABLE 2 POSITION (0-100% O/A VARIABLE)	24-5/16"	40-15/16"	65 Lbs.
	OA2POPRL100VCO2	INCLUDES LOGIC MODULE FOR CO2 CAPABLE			



Note:
Please contact ProVent if RTU has a hinged filter access option.



3847 WABASH DRIVE
MIRA LOMA, CA 91752

PHONE (951) 685-1101
FAX (619) 872-9799

SUBMITTED TO: _____
COMPANY: _____
JOB NAME: _____
EQUIPMENT: _____
NOTES: _____

FORM NO:
OA-28

PART NUMBER:
-

DATE:
7/8/2019

REV:
6

DRAWN BY:
CNG