



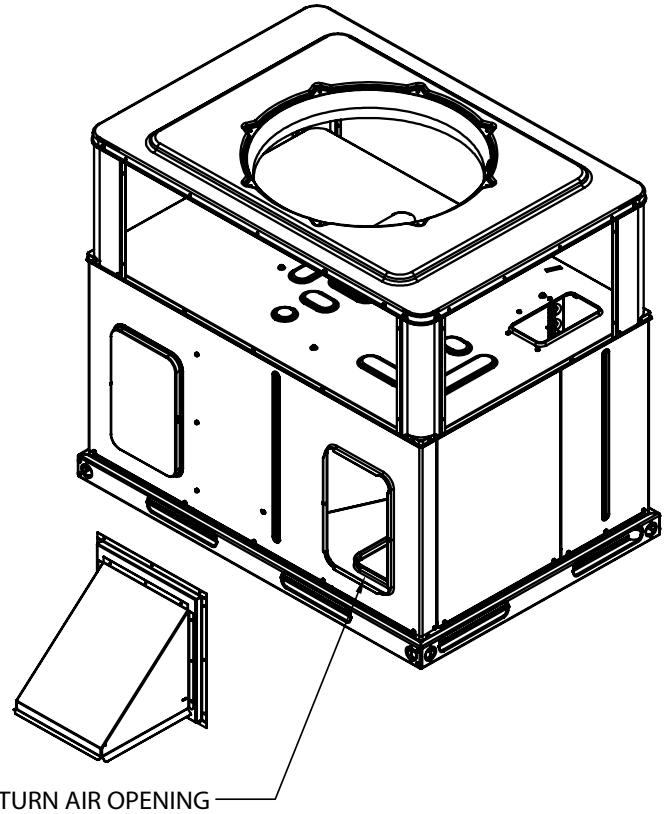
INSTALLATION INSTRUCTIONS

0-25% Outside Air Package for LX Series Units Gravity Backdraft Blade OALXL35 & OALXS35

Instructions

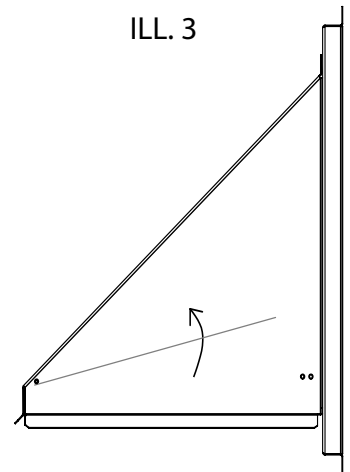
1. Unpack hood and panel. Hood is preattached to panel ready to install.
2. Remove horizontal return duct cover panel from unit.
3. Install new panel with hood using screws from factory provided duct cover panel.

ILL. 1

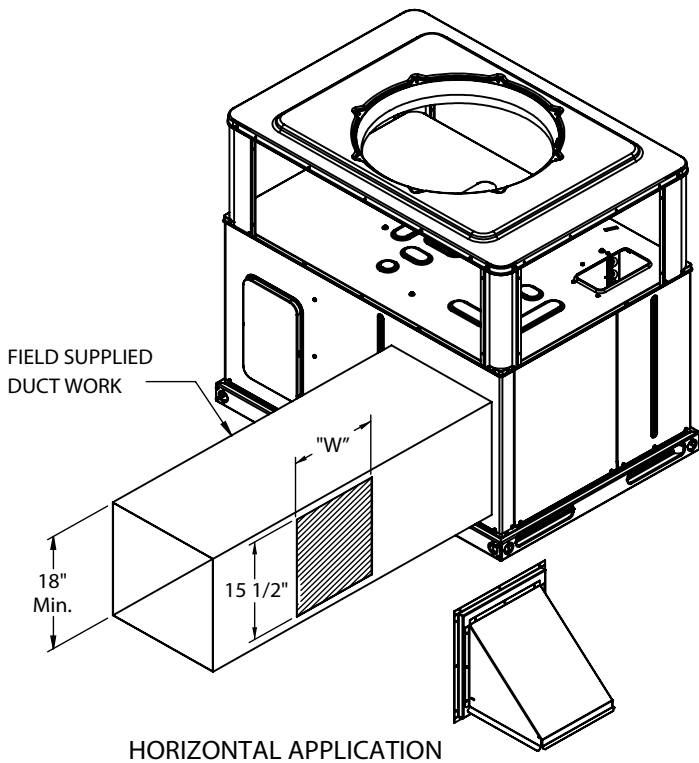


DOWN DISCHARGE APPLICATION

ILL. 3



ILL. 2



For Horizontal installation:

When installing the OALXS35, the opening dimensions are 15- 1/2" x 9-1/2" (W).

When Installing the OALXL35, the opening dimensions are 15-1/2" x 13-1/2" (W).