



INSTALLATION INSTRUCTIONS

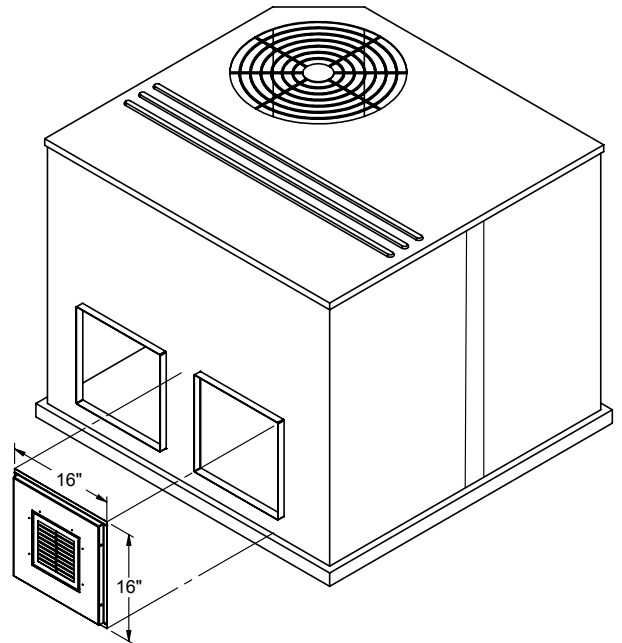
Manual 0-25% Outside Air Hood

OAAFF1860F25

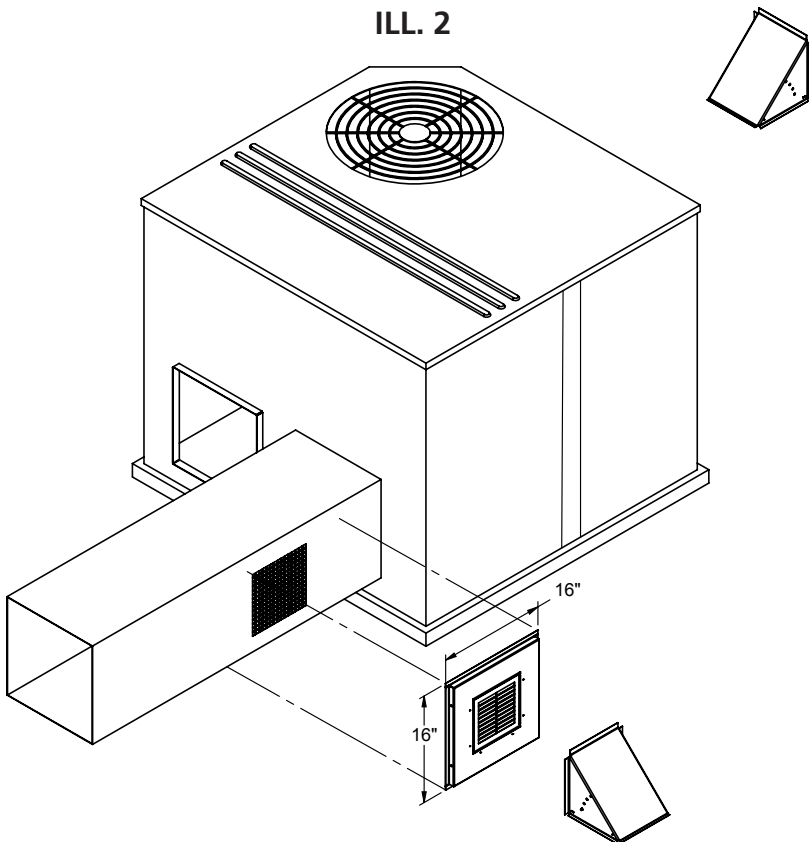
Instructions

1. Unpack hood and panel. Hood is already attached to panel ready to install.
2. Remove horizontal return duct cover panel from unit.
3. Install new panel with hood using screws from factory provided duct cover panel (ILL. 1). For horizontal return, see ILL. 2.
4. Set hood blade to desired opening (ILL. 3).

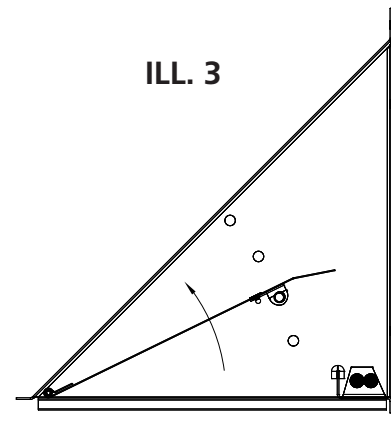
ILL. 1



ILL. 2



ILL. 3



Mount panel and hood to horizontal duct that has a 7 1/2" square opening as close to unit as possible. If panel is too large for duct, cut screen from panel and install behind hood.