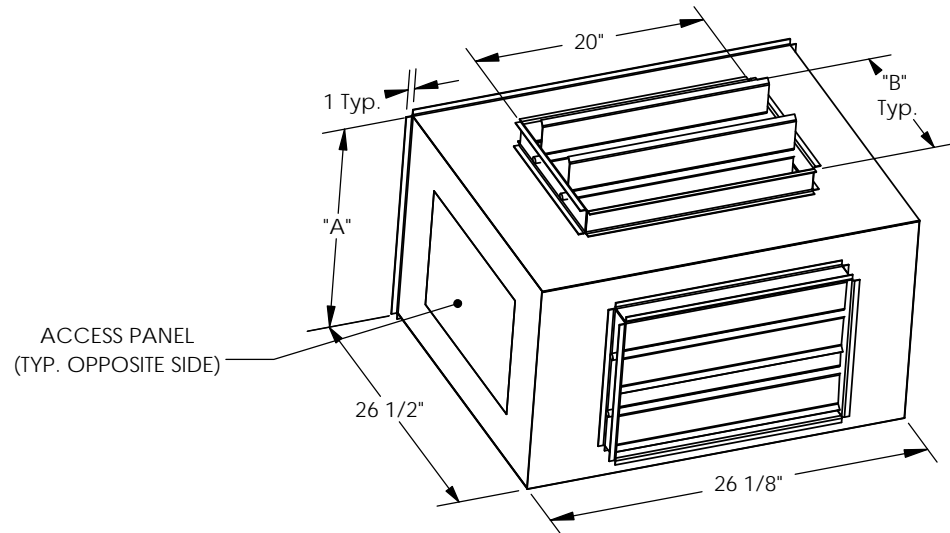


MIXING BOX FOR MULTI POSITION GAS FURNACE

FEATURES:

- Factory assembled.
- Galvanized steel construction.
- Fully insulated.
- Low leak dampers.
- Optional modulating controls with selectable dry bulb or enthalpy are available.
- Direct coupled damper movement.

UNIT SIZE	PART NUMBER	CONTROL TYPE	A	B	EST. WT
TG8S040A08 TG8S060A10 TG8S060A12 TG9S040A08 TG9S060A10 TM8LT060A12	MB-TMA-AC	ACTUATOR ONLY	13 3/8"	12"	39 LBS.
	MB-TMA-DB	MODULATING CONTROLS WITH SELECTABLE DRY BULB			
	MB-TMA-EN	MODULATING CONTROLS WITH ENTHALPY			
TG8S080B12 TG8S100B12 TG9S060B12 TG9S080B12 TM9V060B TM9V080B12 TM8LT080B12	MB-TMB-AC	ACTUATOR ONLY	16 3/8"	12"	42 LBS.
	MB-TMB-DB	MODULATING CONTROLS WITH SELECTABLE DRY BULB			
	MB-TMB-EN	MODULATING CONTROLS WITH ENTHALPY			
TG8S080C16 TG8S080C22 TG8S100C16 TG8S100C20 TG8S120C16 TG8S120C20 TG9S080C16 TG9S080C22 TG9S0100C16 TG9S0100C22 TM9V080C16 TM9V100C16 TM9V100C20	MB-TMC-AC	ACTUATOR ONLY	19 7/8"	16"	50 LBS.
	MB-TMC-DB	MODULATING CONTROLS WITH SELECTABLE DRY BULB			
	MB-TMC-EN	MODULATING CONTROLS WITH ENTHALPY			
TG8S130D20 TG9S0120D16 TG9S0120D20 TG9S0130D20 TM9V120D20	MB-TMD-AC	ACTUATOR ONLY	23 3/8"	16"	57 LBS.
	MB-TMD-DB	MODULATING CONTROLS WITH SELECTABLE DRY BULB			
	MB-TMD-EN	MODULATING CONTROLS WITH ENTHALPY			



3847 WABASH DRIVE
MIRA LOMA, CA 91752

PHONE (951) 685-1101
FAX (619) 872-9799

SUBMITTED TO: _____
COMPANY: _____
JOB NAME: _____
EQUIPMENT: _____
NOTES: _____

FORM NO:
MBTM-101

DATE:
3/11/2015

PART NUMBER:
MB-TM SERIES

REV:
5

DRAWN BY:
CNG