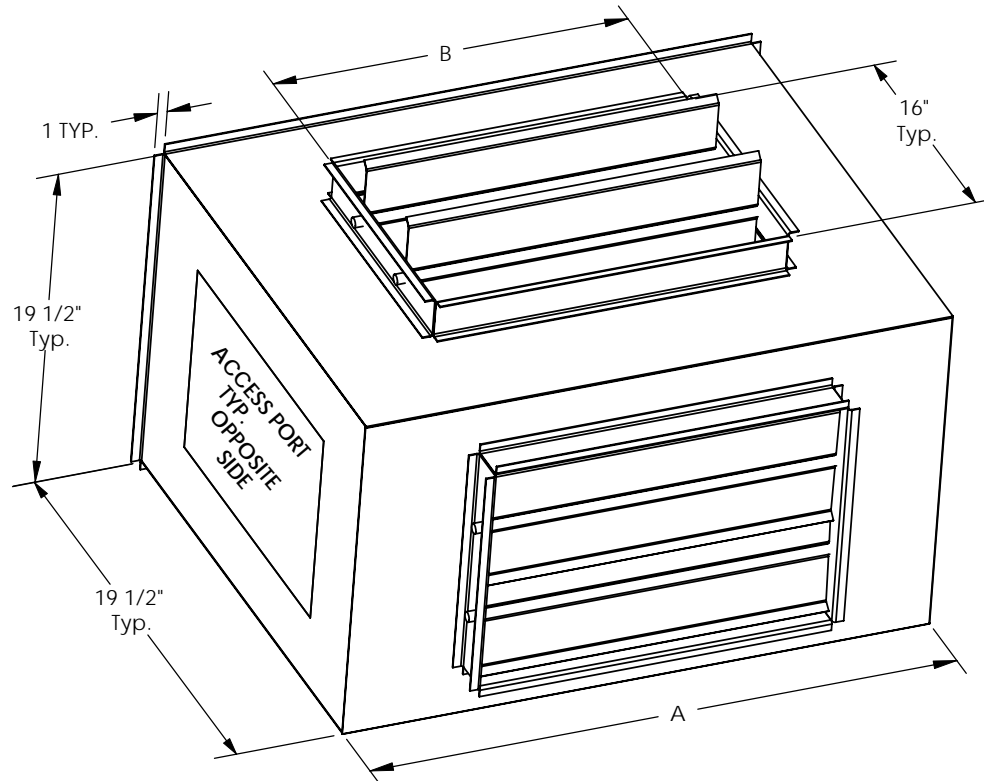


MIXING BOX FOR YORK COOLING COILS

FEATURES:

- Factory assembled.
- Galvanized steel construction.
- Fully insulated.
- Low leak dampers.
- Optional modulating controls with selectable dry bulb or enthalpy are available.
- Direct coupled damper movement.

UNIT SIZE	PART NUMBER	CONTROL TYPE	A	B	EST.WT
F*R*, F2F*, F3F* 018-036RC F4FP024-030* AVY24B*21 AHP18-30B*21	MB-CCA-AC	ACTUATOR ONLY	15"	10"	39 LBS.
	MB-CCA-DB	MODULATING CONTROLS WITH SELECTABLE DRY BULB			
	MB-CCA-EN	MODULATING CONTROLS WITH ENTHALPY			
F*R*, F2F*, F3F* 036(RP)-042 F4FP036-042* AVY36C*21 AHP36-42C*21	MB-CCB-AC	ACTUATOR ONLY	18 1/2"	14"	46 LBS.
	MB-CCB-DB	MODULATING CONTROLS WITH SELECTABLE DRY BULB			
	MB-CCB-EN	MODULATING CONTROLS WITH ENTHALPY			
F*R*, F2F*, F3F* 045-060 F4FP045-060* F5FP048-060* *VY48-60D*21 *HP48-60C*21	MB-CCC-AC	ACTUATOR ONLY	22"	18"	54 LBS.
	MB-CCC-DB	MODULATING CONTROLS WITH SELECTABLE DRY BULB			
	MB-CCC-EN	MODULATING CONTROLS WITH ENTHALPY			



1392 EAST PALOMAR STREET
SUITE 403-234
CHULA VISTA, CA 91913

PHONE (619) 498-9246
FAX (619) 872-9799

SUBMITTED TO: _____
COMPANY: _____
JOB NAME: _____
EQUIPMENT: _____
NOTES: _____

FORM NO:
MB-CC-101

PART NUMBER:
MB-CC* SERIES

DATE:
5/5/2009

REV:
2

DRAWN BY:
MER