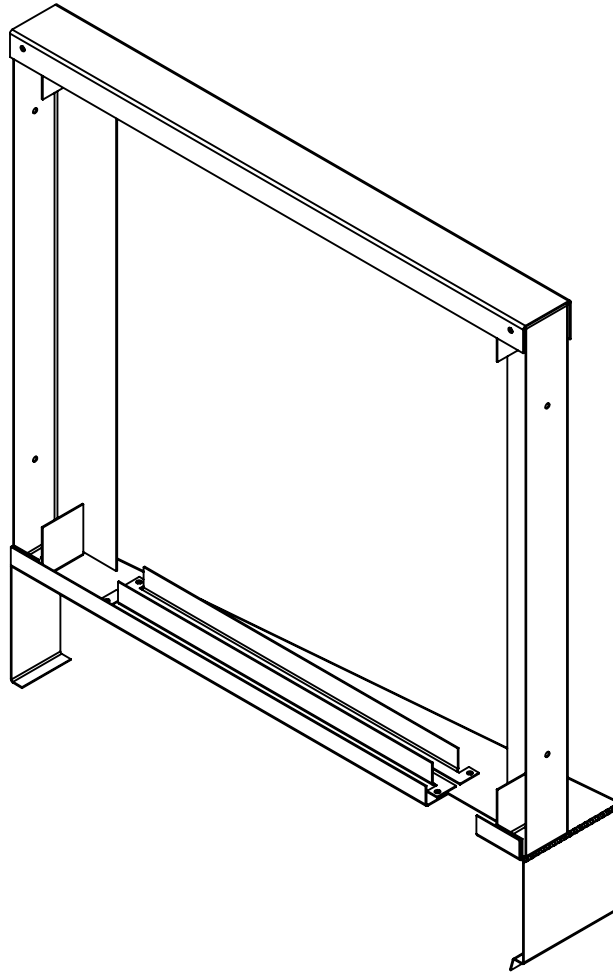



<b>FEATURES</b>	<b>FILTER RACK FOR YORK UNITS</b>	<b>PROVENT P/N</b>	<b>FILTER SIZE (FIELD SUPPLIED)</b>
<ul style="list-style-type: none"> <li>• Factory assembled.</li> <li>• Galvanized steel construction.</li> <li>• Fits 1" and 2" filters (filter not included).</li> </ul>	P***A ALL MODELS	FLTLXS	20" x 20" x 1" or 2"



	<b>3847 WABASH DR. MIRA LOMA, CA 91725</b>  <b>PHONE (951) 685-1101 FAX (619) 872-9799</b>	<b>SUBMITTED TO:</b> _____ <b>COMPANY:</b> _____ <b>JOB NAME:</b> _____ <b>EQUIPMENT:</b> _____ <b>NOTES:</b> _____	<b>FORM NO:</b> FLT-100	<b>PART NUMBER:</b> FLTLXS
			<b>DATE:</b> 10/17/2016	<b>REV:</b> 1