

FEATURES

- CA Title 24 Compliant.
- Direct coupled style actuator standard.
- Stainless steel damper side seals.
- **AMCA certified CD-60 Airfoil dampers blades.**
- **Meets leakage rate as required by ASHRAE 90.1.**
- External linkage system.
- Mechanically secured outside air intake filter.
- Capable of introducing up to 100% outdoor air.
- Relief hood provided for horizontal duct mount.
- Metal Filter 19"x 16"x 1" included.

FEATURES (When Ordered With Control Options)

- Fully modulating damper controls with enthalpy, dry bulb and differential temperature sensor options.
- Selectable economizer changeover temperature set point.
- CO2 controller standard.

Wall or duct mounted CO2 sensor provided as option:

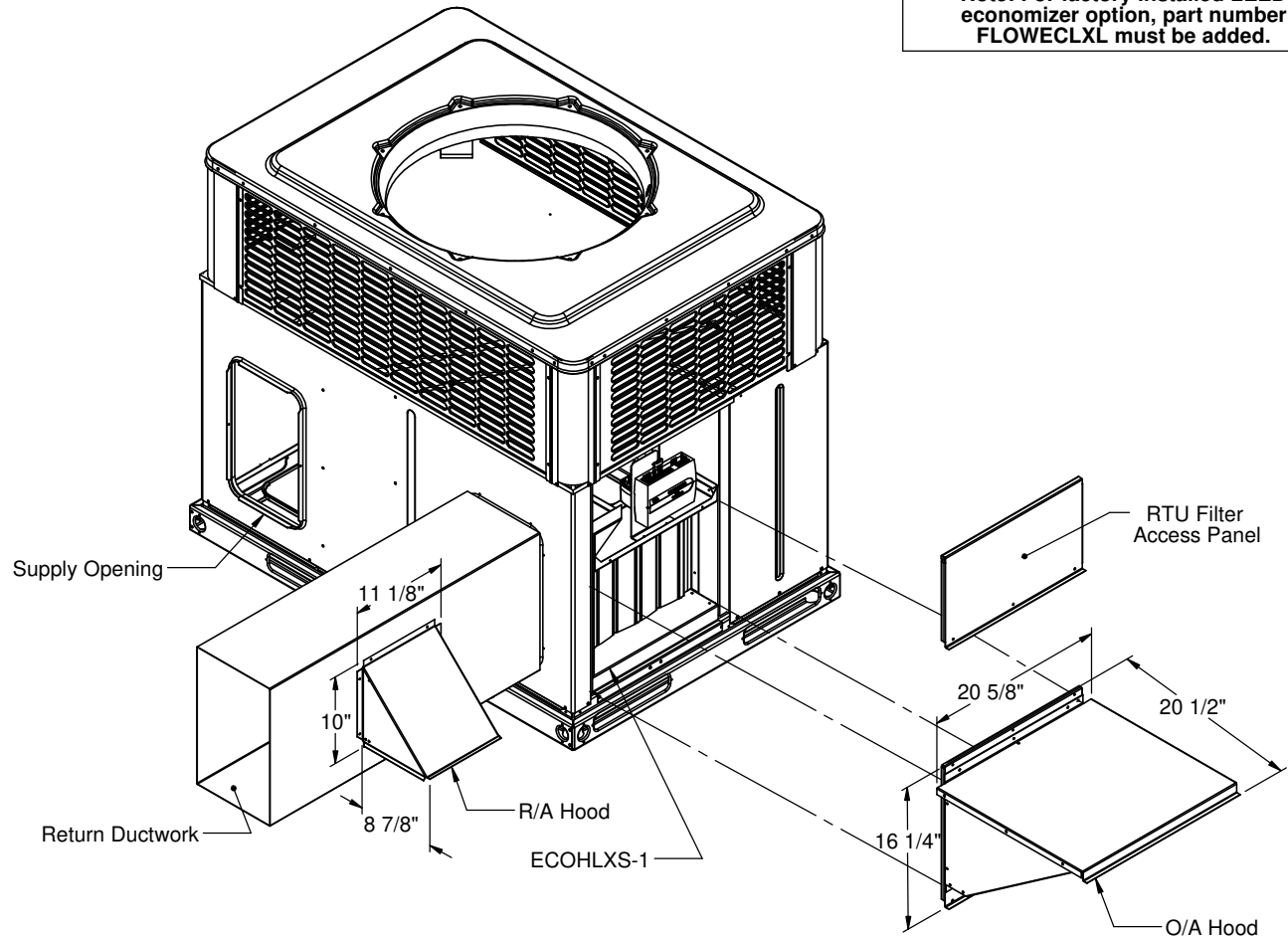
- CO2WM - Wall Mount
- CO2DM - Duct Mount



HORIZONTAL ECONOMIZER WITH BAROMETRIC RELIEF FOR YORK UNITS

PCG4B, PCE4B 048-060 / PHE4B, PHG4B 036-060

| ProVent P/N | Wt. |
|---|--------|
| ECOHLXSAC1 (Actuator Only, 2-10 VDC) | 39 Lb. |
| ECOHLXSDB1 (Fully Modulating Dry Bulb) | |
| ECOHLXSEN1 (Fully Modulating Enthalpy) | |
| Note: For factory installed LEED economizer option, part number FLOWECLXL must be added. | |



3847 WABASH DRIVE
MIRA LOMA, CA 91725

PHONE (951) 685-1101
FAX (619) 872-9799

SUBMITTED TO: _____
 COMPANY: _____
 JOB NAME: _____
 EQUIPMENT: _____
 NOTES: _____

FORM NO:

-

DATE:
6/30/2020

PART NUMBER:

ECOHLXS-1 Serie

REV:
1

DRAWN BY:
JG