

FEATURES

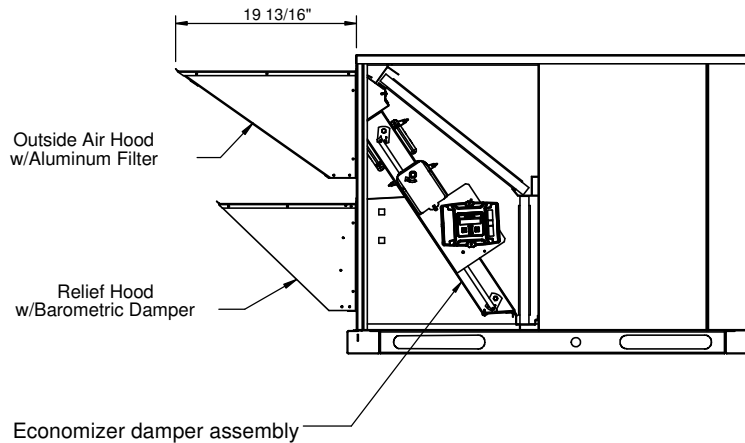
- CA Title 24 Compliant.
- Direct coupled style actuator standard.
- Stainless steel damper side seals.
- **AMCA certified CD-60 Airfoil dampers blades.**
- **Meets leakage rate as required by ASHRAE 90.1.**
- External linkage system.
- Mechanically secured outside air intake filter.
- Capable of introducing up to 100% outdoor air.
- Metal Filter 19" x 16-1/16" x 7/8" (exact) included

FEATURES (When Ordered With Control Options)

- Controls are FDD Compliant.
- Fully modulating damper controls with enthalpy, dry bulb and differential temperature sensor options.
- Selectable economizer changeover temperature set point.
- Requires part number 6210-0010J for Dual Enthalpy.
- CO2 controller standard.
Wall or duct mounted CO2 sensor provided as option:
CO2WM - Wall Mount
CO2DM - Duct Mount

CONVERTIBLE ECONOMIZER WITH BAROMETRIC RELIEF FOR YORK UNITS

**ZE, ZR, XN, XP 036-060
ZF 036-072**



PROVENT P/N **Wt.**

ECOCSUN3672DB
(Fully Modulating Dry Bulb)

ECOCSUN3672EN
(Fully Modulating Enthalpy)

ECOCSUN3672AC
(Actuator Only)

ECOCSUN3672DBS
(SSE Controller Dry Bulb)

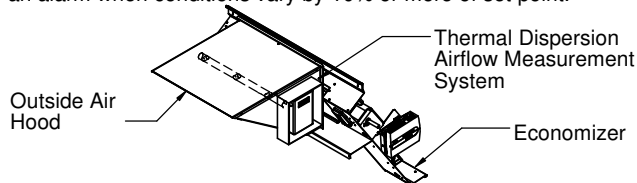
ECOCSUN3672ENS
(SSE Controller Enthalpy)

48 lb.

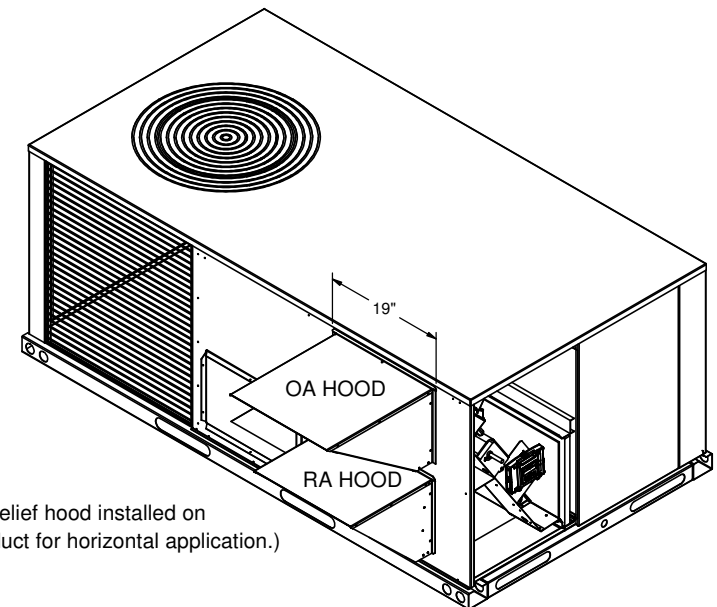
Note: For factory LEED economizer option, part number FLOWECSUN3672 must be added.

LEED ECONOMIZER OPTION

- ProVent P/N: FLOWECSUN3672
- Outside air measurement for dilution utilizing thermal dispersion technology and ASHRAE 62.1 compliant. Provides LEED credit by supplying feedback on ventilation system performance ensuring that the ventilation system maintains design requirements.
- Factory installed onto economizer standard.
- Provides analog outputs for BMS, visual or audible alert, and generates an alarm when conditions vary by 10% or more of set point.



Only Ruskin Company Model CD-60 is AMCA Certified



3847 WABASH DR.
MIRA LOMA, CA 91725

PHONE (951) 685-1101
FAX (619) 872-9799

SUBMITTED TO: _____
COMPANY: _____
JOB NAME: _____
EQUIPMENT: _____
NOTES: _____

FORM NO:
ECO-185

DATE:
3/9/2016

PART NUMBER:
ECOCSUN3672 Series

REV:
11

DRAWN BY:
JG