

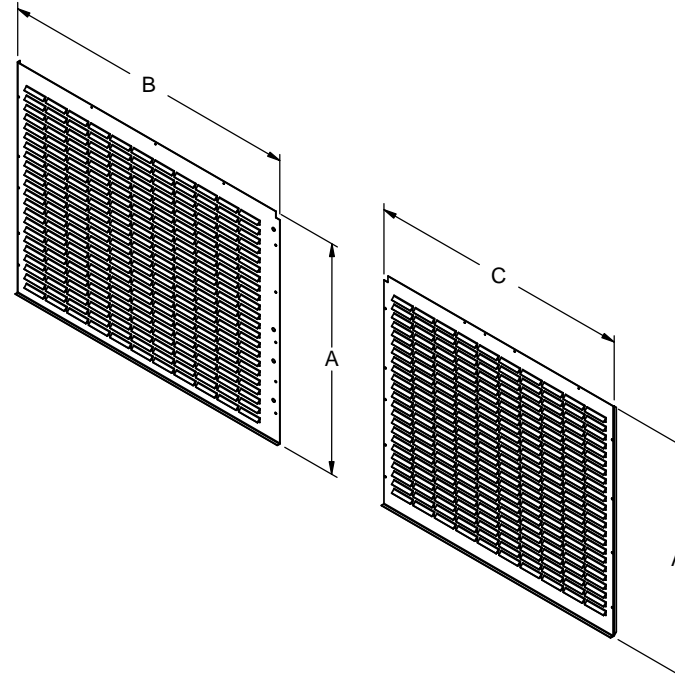
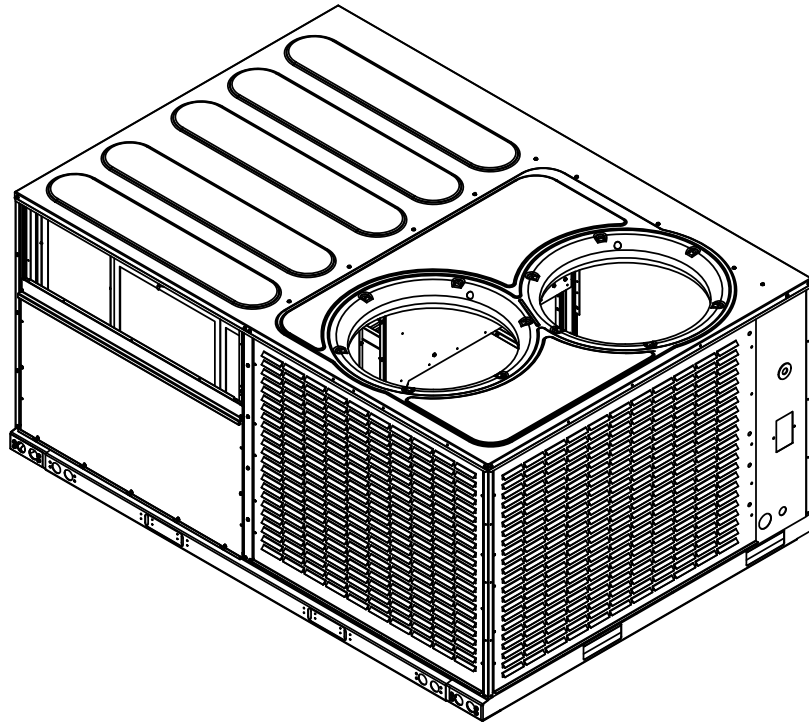
FEATURES:

- Pre-Painted Metal Guard
- Louver Protection

HAIL GUARD/COIL GUARD FOR YORK DIRECT FIT UNITS

UNIT	PROVENT P/N	"A"	"B"	"C"	WT.
ZX 04-06; ZQ 04-05 XQ, XY, ZY 04	CGPRSS	28-3/4"	32-7/8"	23-1/2"	21 Lbs.
ZX 07; ZQ 06; XQ, XY, ZY 05-06	CGPRST	36-3/4"	32-7/8"	23-1/2"	26 Lbs.
ZX 08; XX, XY, ZY 07	CGPRLS	36-3/4"	48-5/16"	42-1/4"	41 Lbs.
ZX 09-14; ZY 08-12 XY 08-09; XX 08-10	CGPRLT	44-3/4"	48-5/16"	42-1/4"	50 Lbs.

Prestige Large Cabinet Shown



3847 WABASH DRIVE
MIRA LOMA, CA 91752

PHONE (951) 685-1101
FAX (619) 872-9799

SUBMITTED TO: _____
 COMPANY: _____
 JOB NAME: _____
 EQUIPMENT: _____
 NOTES: _____

FORM NO:
CG-201

PART NUMBER:
CGPR Series

DATE:
7/23/2019

REV:
4

DRAWN BY:
CNG