

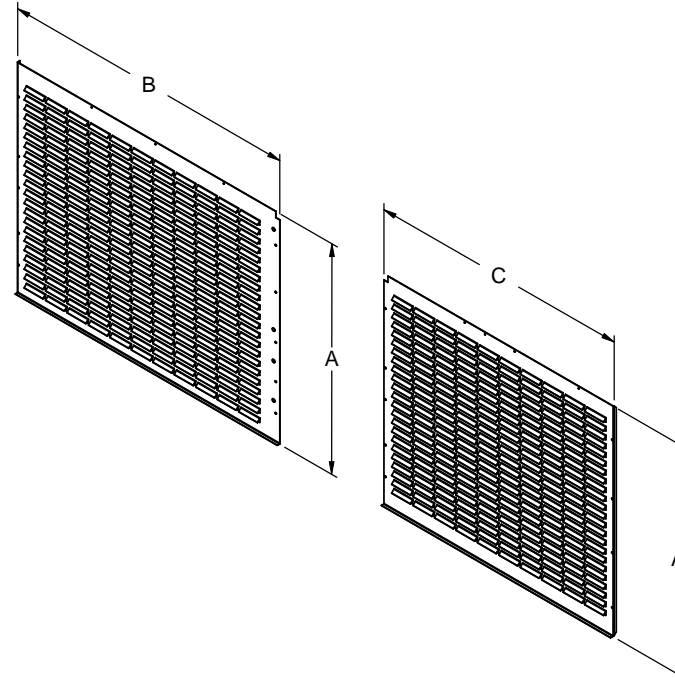
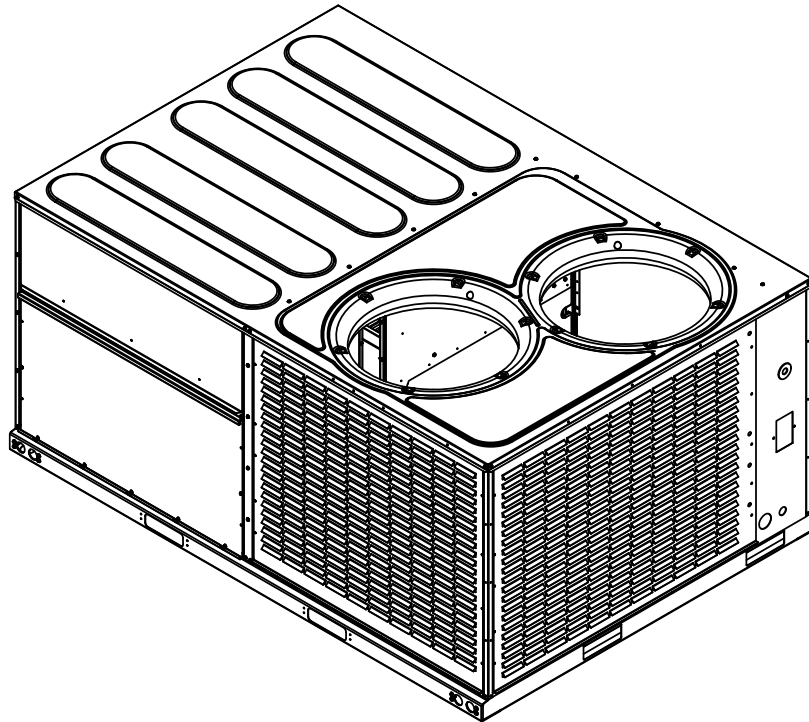
**FEATURES:**

- Pre-Painted Metal Guard
- Louver Protection

**HAIL GUARD/COIL GUARD FOR YORK PRESTIGE UNITS**

UNIT	PROVENT P/N	"A"	"B"	"C"	WT.
ZX 04, 05, 06; ZY 04	CGPRSS	28-3/4"	32-7/8"	23-1/2"	21 Lbs.
ZX 07; ZY 05, 06	CGPRST	36-3/4"	32-7/8"	23-1/2"	26 Lbs.
ZX 08; ZY 07	CGPRLS	36-3/4"	48-5/16"	42-1/4"	41 Lbs.
ZX 09, 12, 14 ZY 08, 09, 12	CGPRLT	44-3/4"	48-5/16"	42-1/4"	50 Lbs.

Prestige Large Cabinet Shown



3847 WABASH DRIVE  
MIRA LOMA, CA 91752

PHONE (951) 685-1101  
FAX (619) 872-9799

SUBMITTED TO: \_\_\_\_\_  
 COMPANY: \_\_\_\_\_  
 JOB NAME: \_\_\_\_\_  
 EQUIPMENT: \_\_\_\_\_  
 NOTES: \_\_\_\_\_

FORM NO:  
CG-201

PART NUMBER:  
CGPR Series

DATE:  
5/21/2014

REV:  
1

DRAWN BY:  
CNG