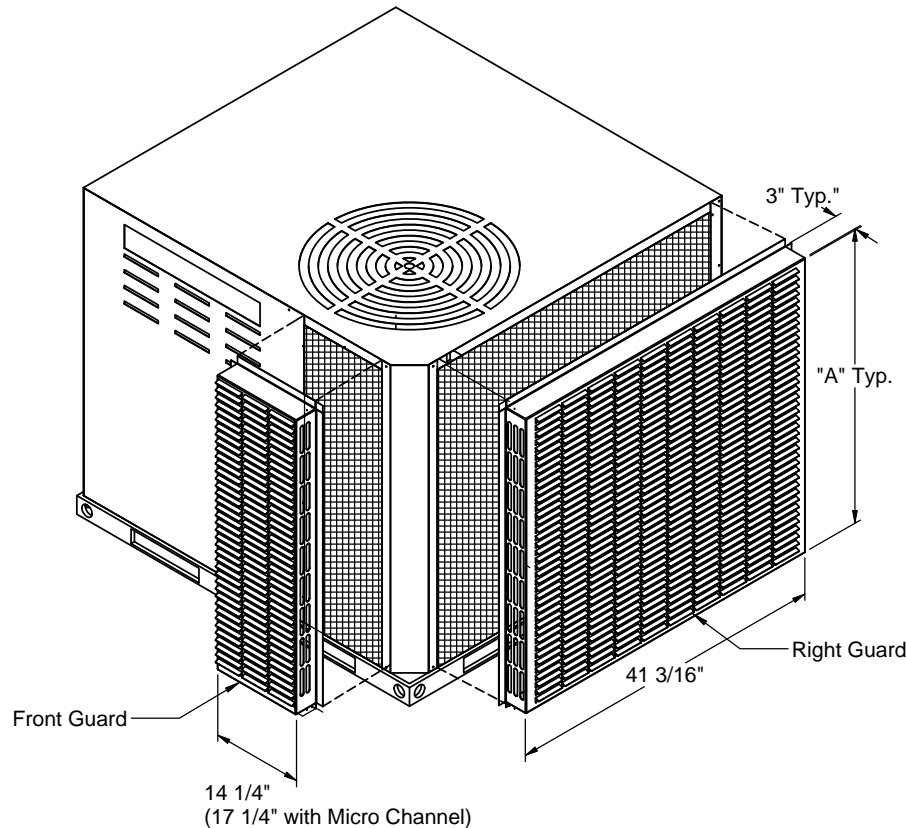


**FEATURES:**

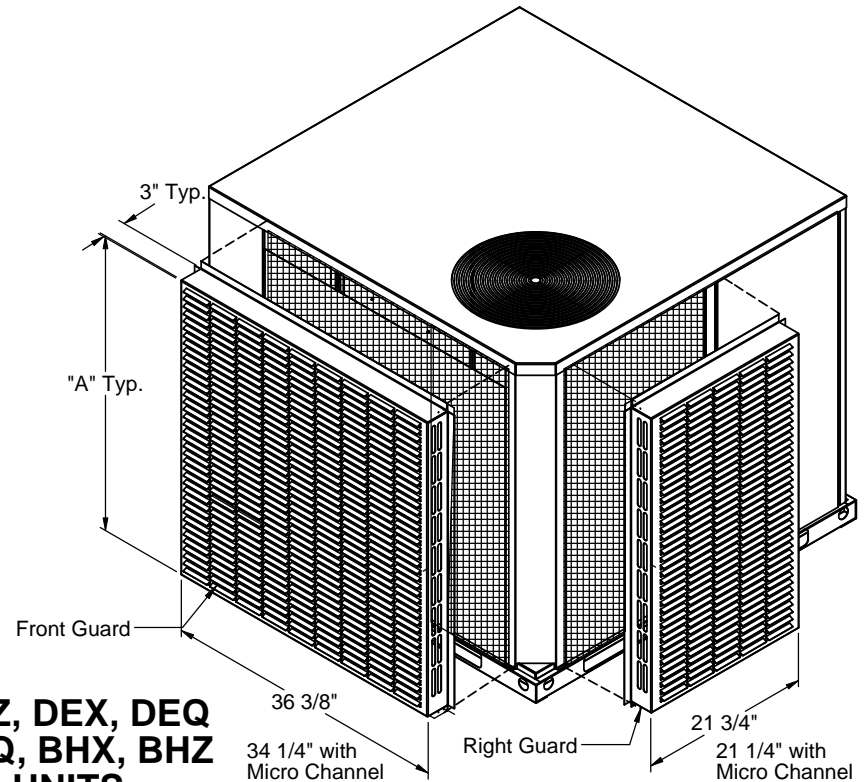
- Pre-Paint Metal Guard
- Ships fully assembled.
- Louver Protection

**COIL / HAIL GUARD FOR YORK AFFINITY 018-060 UNITS**

PROVENT P/N	UNITS	DIM "A"	WT.
CGAFFHPSC1	DEX, BHQ, BHX, BHZ 024-036 DEZ, DEQ 024-042	31-1/4"	26 Lbs.
CGAFFHPLC1	DEX, BHQ, BHZ 042-060 DEZ, DEQ, BHX 048-060	39-1/4"	30 Lbs.
CGAFFHP2SC1	DEZ 024-042 w/MC	29-1/4"	25 Lbs.
CGAFFHP2LC1	DEZ 048-060 w/MC	37-1/4"	29 Lbs.
CGAFFGESC1	DNY, DNZ 024-036 DNX 024-030, DNQ 024-042	31-1/4"	23 Lbs.
CGAFFGELC1	DNY, DNZ 042-060 DNX 036-048, DNQ 048-060	39-1/4"	27 Lbs.
CGAFFGE2SC1	DNZ 024-036 w/MC	31-1/4"	24 Lbs.
CGAFFGE2LC1	DNZ 042-060 w/MC	39-1/4"	28 Lbs.



**DNY, DNZ  
DNQ, DNX  
UNITS**



**DEZ, DEX, DEQ  
BHQ, BHX, BHZ  
UNITS**



3847 WABASH DRIVE  
MIRA LOMA, CA 91752

PHONE (951) 685-1101  
FAX (619) 872-9799

SUBMITTED TO: \_\_\_\_\_  
COMPANY: \_\_\_\_\_  
JOB NAME: \_\_\_\_\_  
EQUIPMENT: \_\_\_\_\_  
NOTES: \_\_\_\_\_

FORM NO:  
CG-200

PART NUMBER:  
CGAFF Series

DATE:  
8/4/2014

REV:  
1

DRAWN BY:  
CNG