

FEATURES:

- Pre-Painted Metal Guards.
- Ships fully assembled.
- Louver Protection.

HAIL GUARD FOR YORK UNITS

XP 180; ZF 180-300

UNIT

PROVENT P/N:

Est. Wt.

ZF 180

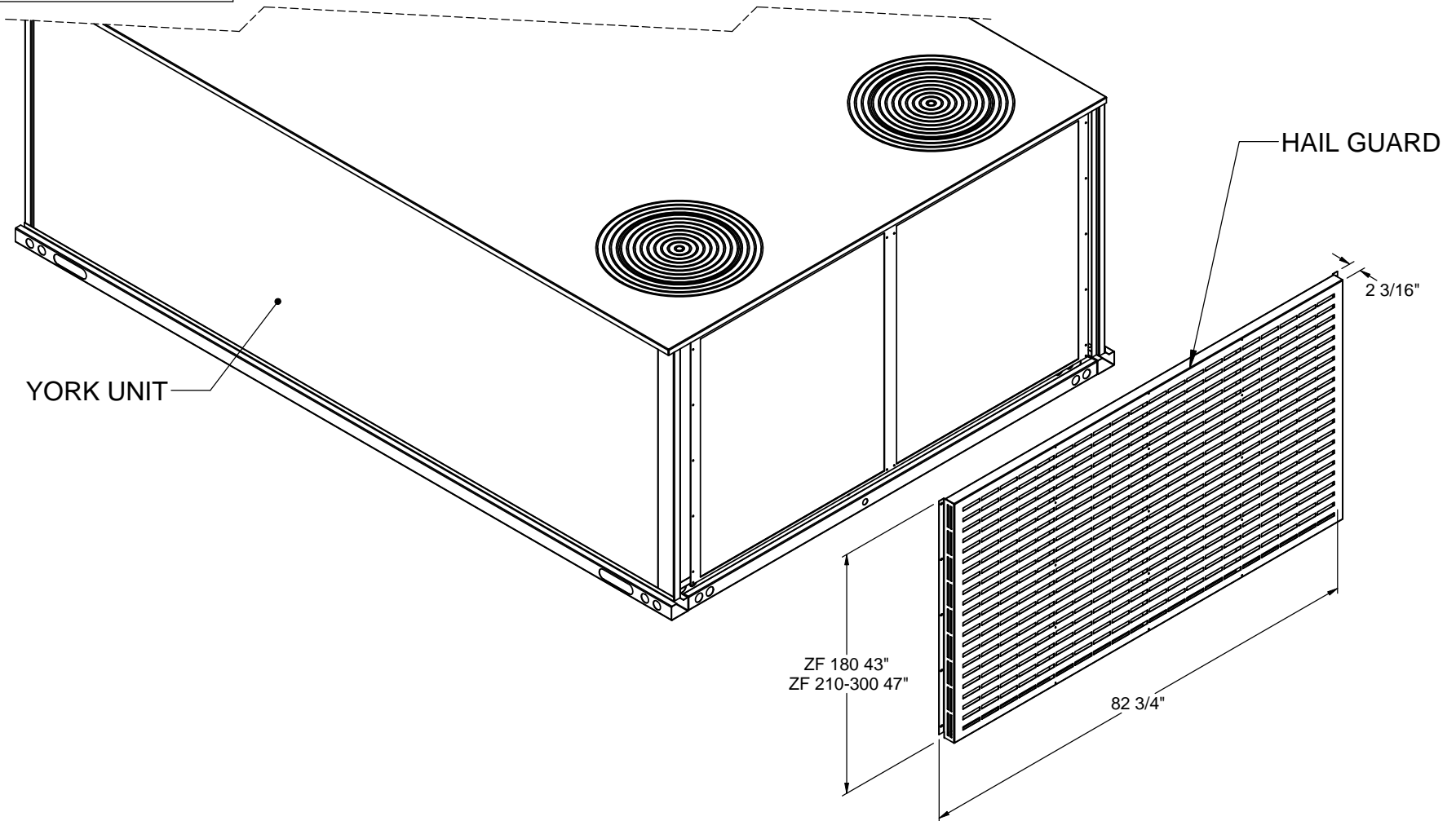
CGSLU1801

56 Lbs

XP 180;
ZF 210-300

CGSLM21301

68 Lbs



3847 WABASH DR.
MIRA LOMA, CA 91725

PHONE (951) 685-1101
FAX (619) 872-9799

SUBMITTED TO: _____

COMPANY: _____

JOB NAME: _____

EQUIPMENT: _____

NOTES: _____

FORM NO:

CG-118

DATE:

3/21/2013

PART NUMBER:

CGSLU180 Series

REV:

4

DRAWN BY:

FMM