

FEATURES

- 1/2" Bars Welded 6" on Center
- Fully Welded Construction.

**ROOF CURB BURGLAR BAR INSERTS
FOR YORK UNITS**

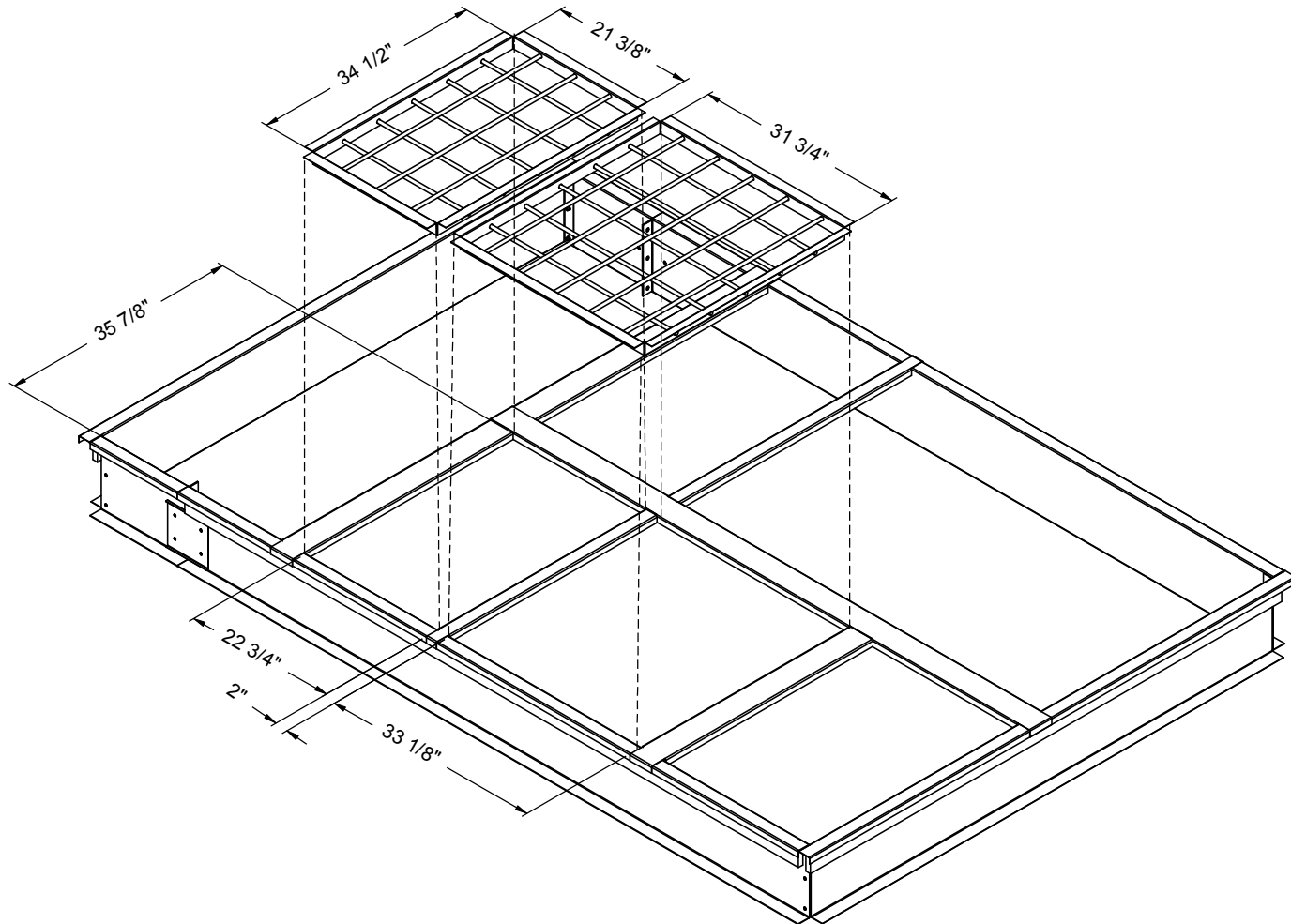
ZJ/ZF/DJ/ZR/WJ/DH/DR/WR/DM 180-300 BP/BQ 240

ProVent P/N

Wt.

BBARSLM1830

44 Lbs



1392 EAST PALOMAR STREET
SUITE 403-234
CHULA VISTA, CA 91913

PHONE (619) 498-9246
FAX (619) 872-9799

SUBMITTED TO: _____
COMPANY: _____
JOB NAME: _____
EQUIPMENT: _____
NOTES: _____

FORM NO:

BBAR-105

DATE:

1/12/2009

REV:

1

DRAWN BY:

COC