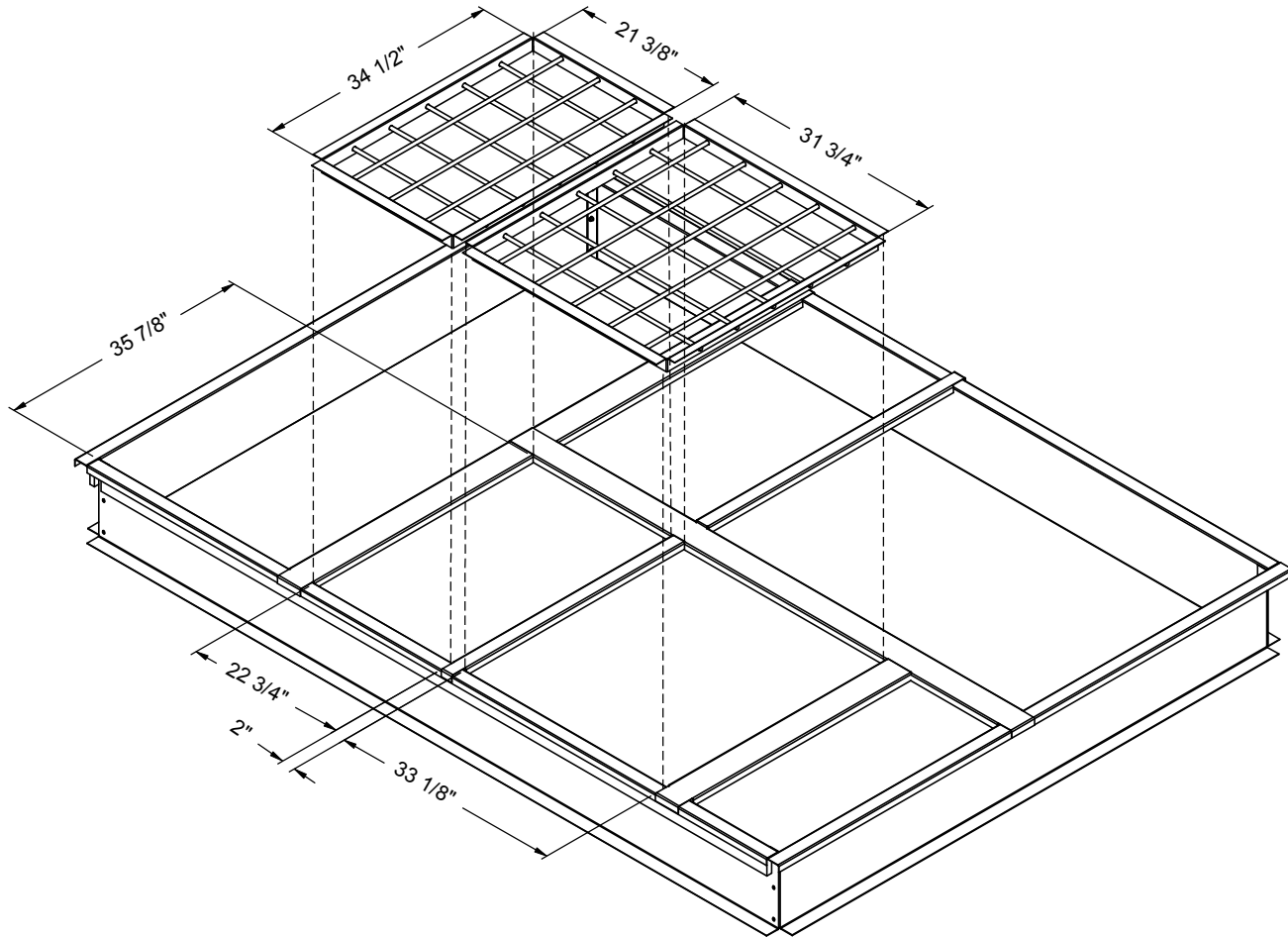



FEATURES <ul style="list-style-type: none"> • 1/2" Bars Welded 6" on Center • Fully Welded Construction. 	ROOF CURB BURGLAR BAR INSERTS FOR YORK UNITS	ProVent P/N BBARSLU180	Wt. 44 Lbs
	DH/DM/BP 180		



	1392 EAST PALOMAR STREET SUITE 403-234 CHULA VISTA, CA 91913 PHONE (619) 498-9246 FAX (619) 872-9799	SUBMITTED TO: _____ COMPANY: _____ JOB NAME: _____ EQUIPMENT: _____ NOTES: _____	FORM NO: BBAR-104	DATE: 1/12/2009	REV: 1	DRAWN BY: COC