

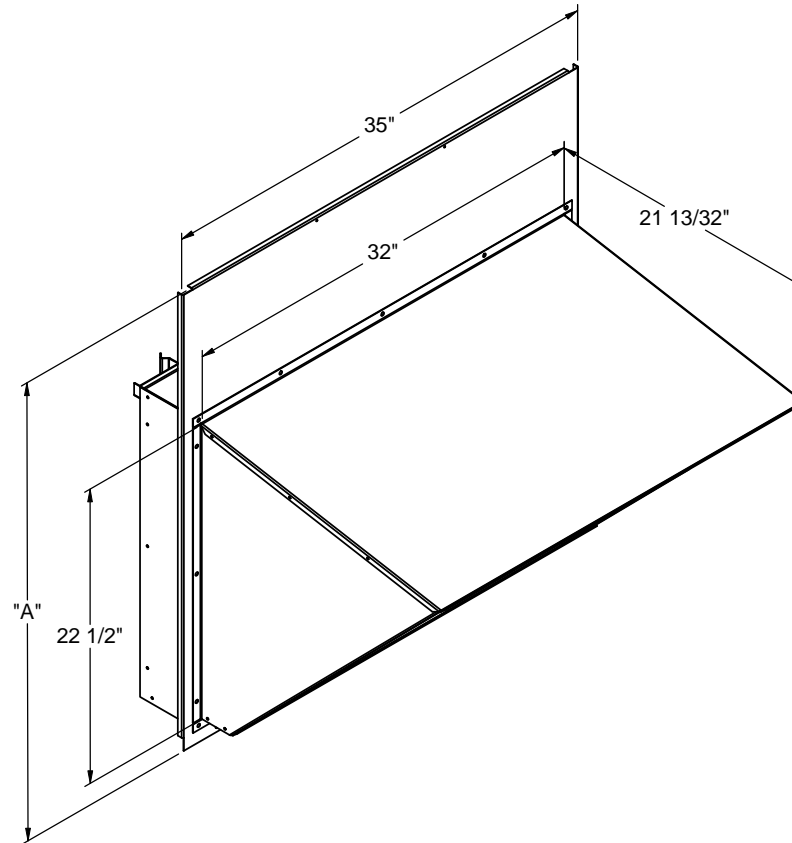
**FEATURES**

- Built in damper position limit stop standard.
- Stainless steel low leak damper side seals.
- External linkage system.
- Mechanically secured upgraded outside air intake filter.
- Horizontal or down discharge. (Mounts in same position on unit).

**0 - 100% 2 POSITION OFFERING FOR ALLIED UNITS**

**LGH/LCH 036-072**

ALLIED UNIT	PROVENT P/N	DESCRIPTION	A	Wt.
LGH/LCH 036-048	OA2POABXS100BL	OUTSIDE AIR SELECTABLE 2 POSITION (0-100% O/A VARIABLE)	35"	72 Lb.
LGH/LCH 060-072	OA2POABXL100BL	OUTSIDE AIR SELECTABLE 2 POSITION (0-100% O/A VARIABLE)	43"	75 Lb.



3847 WABASH DRIVE  
MIRA LOMA, CA 91752

PHONE (951) 685-1101  
FAX (619) 872-9799

SUBMITTED TO: \_\_\_\_\_  
 COMPANY: \_\_\_\_\_  
 JOB NAME: \_\_\_\_\_  
 EQUIPMENT: \_\_\_\_\_  
 NOTES: \_\_\_\_\_

FORM NO:  
OA-204

PART NUMBER:  
OA2POABX SERIES

DATE:  
11/4/2013

REV:  
1

DRAWN BY:  
CNG