

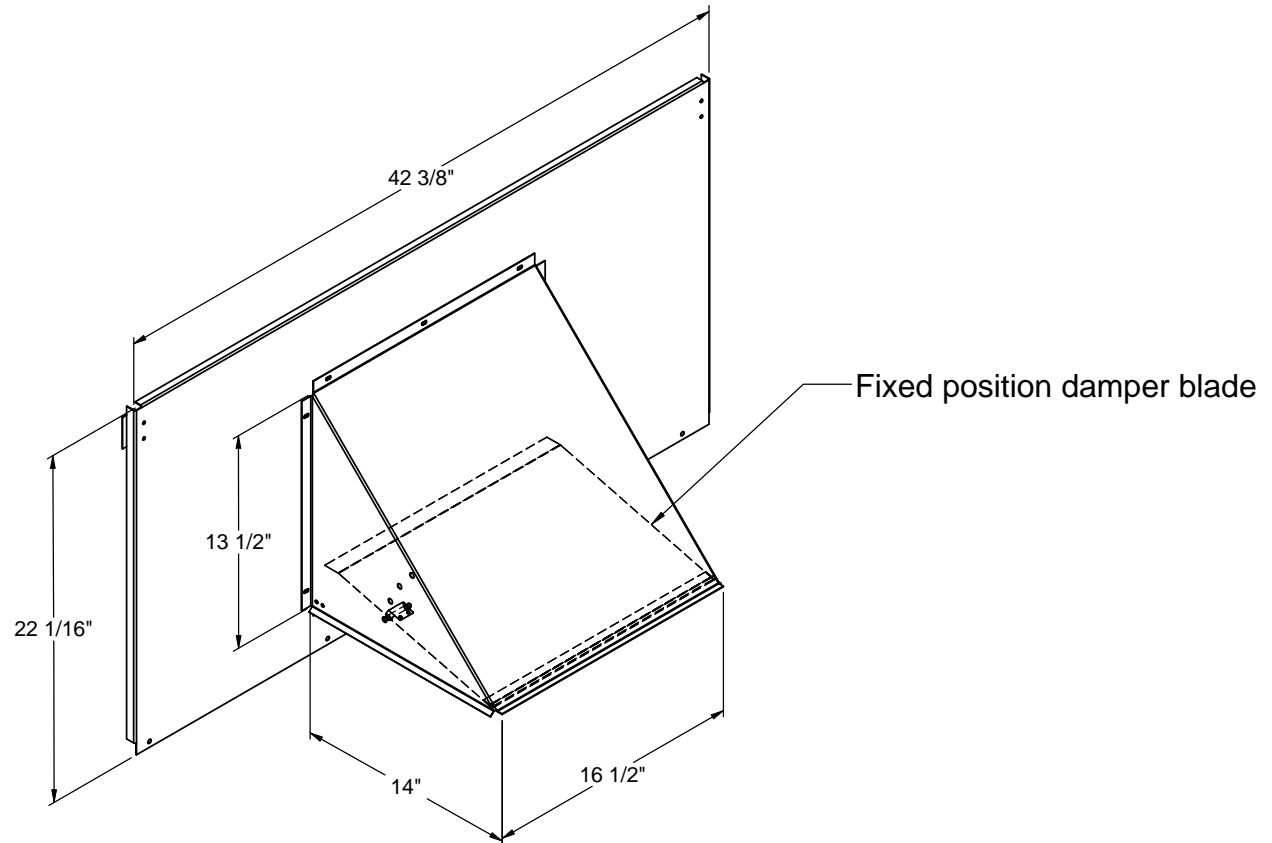
**FEATURES:**

- Painted hood and panels match factory specifications and color.
- Fully insulated panel (Insulation: 1"-1.5 lb. Density).

**0 - 25% OUTSIDE AIR PACKAGE FOR ALLIED UNITS**

ZGA, ZCA, ZHA 036-060

UNIT SIZE	PROVENT P/N	EST. WEIGHT
036-048	OABZS25	24 Lbs.
060	OABZL25	24 Lbs.



3847 WABASH DRIVE  
MIRA LOMA, CA 91752

PHONE (951) 685-1101  
FAX (619) 872-9799

SUBMITTED TO: \_\_\_\_\_  
 COMPANY: \_\_\_\_\_  
 JOB NAME: \_\_\_\_\_  
 EQUIPMENT: \_\_\_\_\_  
 NOTES: \_\_\_\_\_

FORM NO:  
OA-203

PART NUMBER:  
-

DATE:  
4/3/2013

REV:  
-

DRAWN BY:  
FMM